



CARBON CERAMIC DERAILLEUR FOR SRAM AXS 12 SPEED

*RIVAL VERSION
RED/FORCE VERSION*

TOOLS NEEDED

1. Hex Allen Keys (2.5 / 3 / 5 / 6 mm)
2. Torque Wrench
3. Chain remover
4. Nova Ride Tool provided
5. New chain



INSTALLATION VIDEO

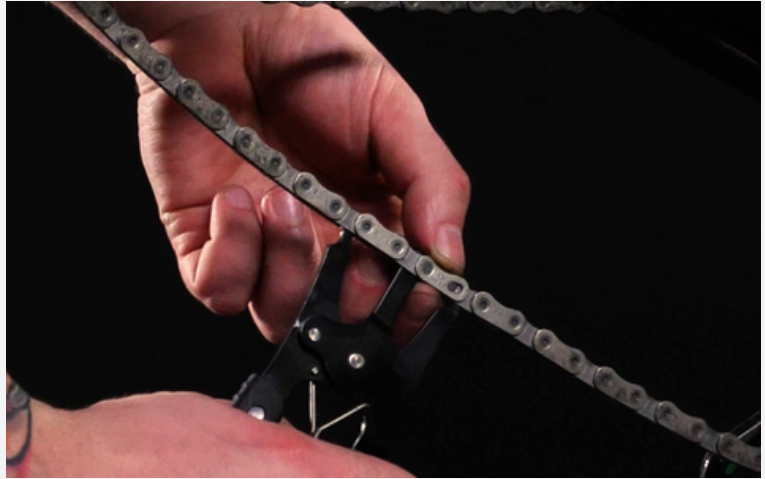
For installation tutorial video, please follow the instructions in the "How To Install your Nova Ride Sram AXS 12 Speed Oversize carbon pulley cage" video to properly mount your new cage on our Nova Ride Youtube channel.

Scan this QR Code to access our installation video and social media.



STEP 1

1. Remove the rear wheel of your bike.
2. Remove the chain by using the chain remover.
3. Shift the derailleur to biggest sprocket.
4. Remove the rear derailleur by using the 6mm Allen key.



5. Unscrew the two wheels from the Sram derailleur cage with a 3 millimeters allen key.



5. Loosen but do not remove completely the main central nut with the Nova Ride tool and a 5 millimeters hex key.

PLEASE NOTE, the cage is under tension, so you have to hold it well.

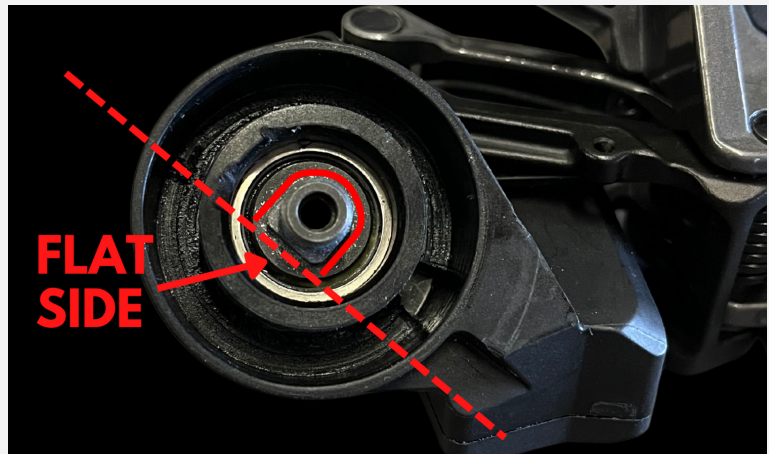


STEP 2

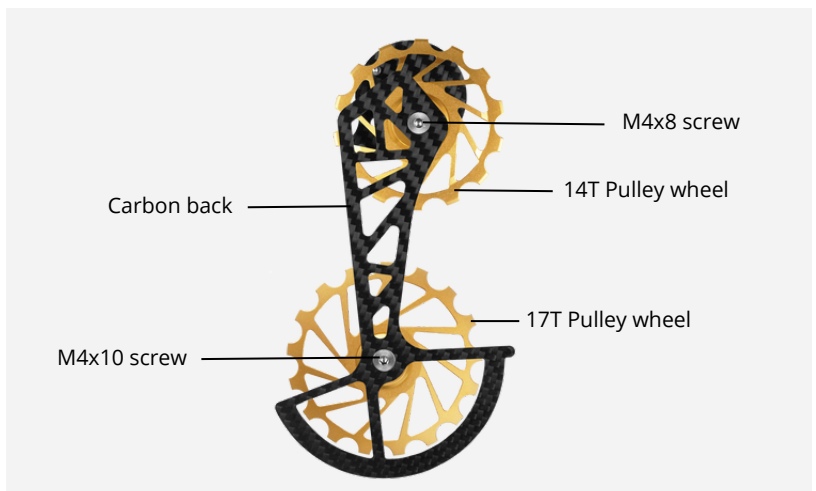
1. Clock it until there is no more tension, then remove the central nut and the SRAM cage.
2. Set the spring and the central nut aside to reuse them later.



3. Position the "D" interface, with the flat side on your left, as in the photo.
4. Refit the SRAM spring in the derailleur body.

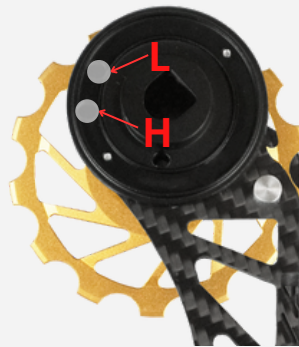


5. Disassemble the Nova Ride cage by using the 2.5mm Allen key.

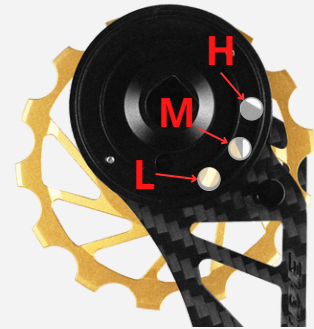


STEP 3

1. Take the "Carbon front" and align it with the rear of the derailleur.
2. L Low = Increases performance and lower chain tension
M Middle = Recommended tension hole
H High = Better shifting and higher chain tension



Rival version



RED/Force version

3. Put the spring rod into the low (L), middle (M) or high (H) tension adjuster on the cage.



4. Mount the "Carbon front" on the central screw and screw the central mounting nut by using the Nova Ride tool provided.
5. Tighten the nut by hand until the screw is touching the cage without forcing, then back off 180 degrees (1/2 turn).
6. Interface D will not be aligned at this point.

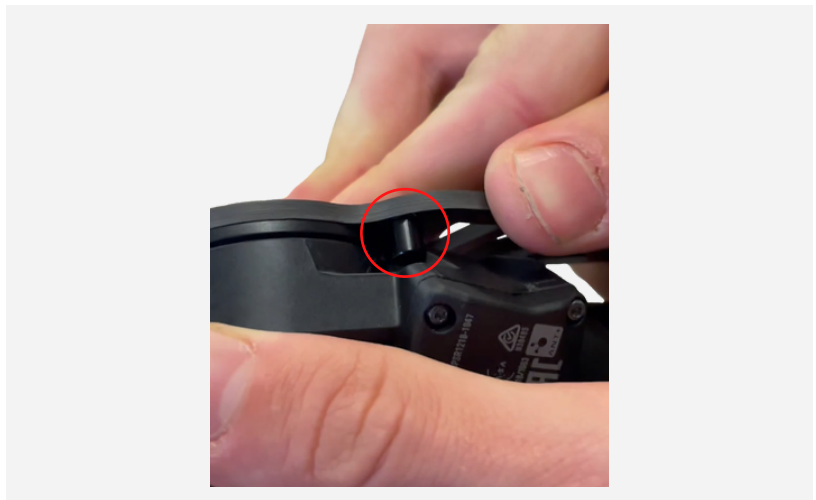


STEP 4

1. Rotate the cage clockwise until you feel the cage interlocking with interface D.



2. Once the cage is fitted, continue to turn it until the stopper (circled in red) is no longer in abutment.

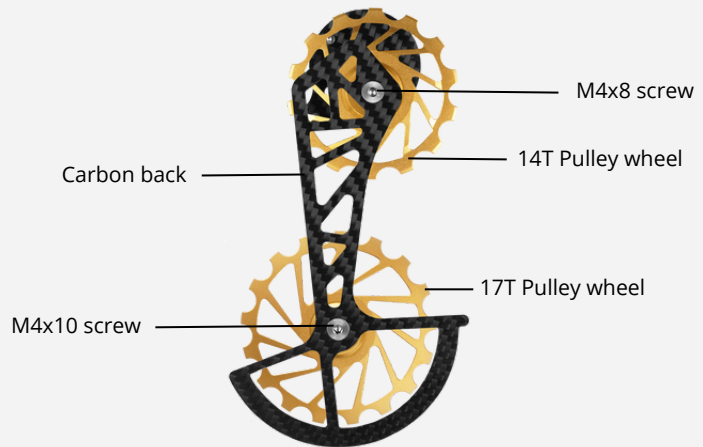


3. By using the tool provided, finish fixing the central nut to a torque of 6 Nm.



STEP 5

1. Then install the 14T pulley wheel on the upper part of the cage and the 17T pulley wheel on the lower part.
2. Align the rear cage on the pulley wheels.



3. Put the M4x8 screw at the level of the 14T pulley wheel and the M4x10 screw at the level of the 17T pulley wheel.



4. Reinstall the Sram derailleur on the bike.
5. Shift your derailleur back down to the smallest sprocket.
6. Reinstall your rear wheel.
7. Then refer to the next page for your chain length and derailleur adjustment.



LAST IMPORTANT SETTINGS

To ensure the best riding performance make sure that your new Nova Ride Carbon Ceramic Derailleur cage is mounted correctly.

You can follow the next instructions below or watch our YouTube video tutorial "How To Calculate The Correct Chain Length and Set-up the Gear Shifting": <https://www.youtube.com/watch?v=r1z0D6rfHJA>

CHAIN LENGTH ADJUSTMENT STEPS :

1. The chain length changes because the Nova Ride pulley wheels are bigger. So, it is strongly recommended to use a new chain. We recommend adding 3 to 5 links to your previous chain.
2. Put the chain on the smallest sprocket of your cassette and on the smallest chainring of your crankset.
3. In this configuration, the stopper must not be in contact with the derailleur body. Make sure to let around 1 to 3 millimeters between the two parts.

NOVA RIDE CCD CAGE AND DERAILLEUR ADJUSTMENT STEPS:

1. Put and hold your Nova Ride carbon cage perpendicular to the ground.
2. Then, set with the tension screw the derailleur b-limit gap so that the teeth of the biggest cassette gear is around 5 millimeters from the upper wheel's teeth of your Nova Ride CCD.
3. Now to finish the installation, you only need to check and re-adjust the indexation of your derailleur, this regarding to the Shimano standard and advice.

You are now ready to go! Enjoy your ride with your new Nova Ride Carbon Ceramic Derailleur.

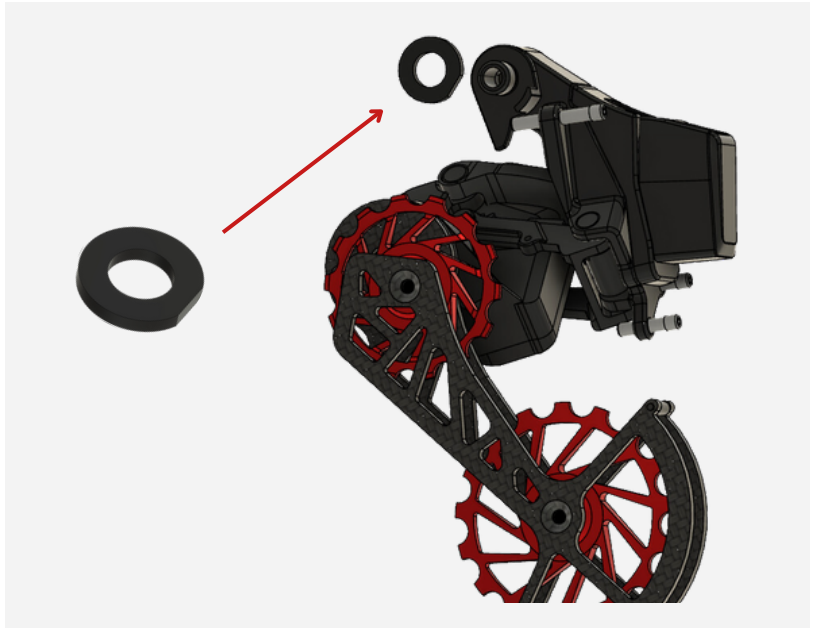
You can review us on Trustpilot : <https://www.trustpilot.com/review/novatoride.com>

SPACER FOR SRAM DERAILLEUR

When you need it ?

You need it when you can't go to the smallest sprocket, even with adjustment of derailleur stop and maximum adjustment of micro shifting.

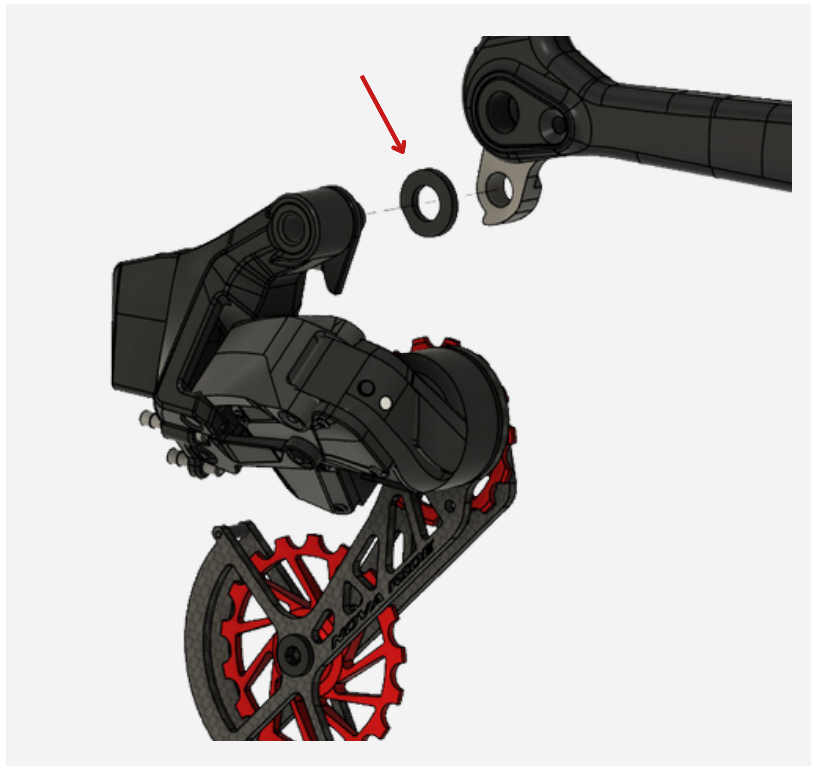
This spacer moves the derailleur from the frame and allows to reach the right position of the cage compare to the cassette.



INSTALLATION

Put the spacer between the derailleur and the derailleur hanger.

Screw the derailleur in the derailleur hanger.



MAINTENANCE

No set of rules can be made for how often your part have to be maintained. Our sealed bearings are protected with the alloy covers and enable a longer lifespan. We designed these parts in a way that you will not have to worry about maintenance or technical issues. No lubricants or grease are required to put on the bearings. During your rides, dirt may get between the cover and the bearings, you can remove it with water or a degreaser.

Please note that these are dry bearings, so do not use any lubricant.

WARRANTY TERMS

Nova Ride warrants all products to be free from defects in materials and workmanship. The warranty is effective from the original date of purchase. The warranty covers all Nova Ride products. It is non-transferable and valid to the original purchaser of the product only.

Ceramic Pulley Wheels & Carbon Ceramic Derailleur : 4 years warranty

Any Nova Ride product found to be defective in materials and/or workmanship will be repaired or replaced at the discretion of Nova Ride. It is the sole responsibility of the product's user to inspect and examine the product on a regular basis to determine the need for correct maintenance or replacement.

Not covered under the warranty program : Products determined to be tampered with, modified or neglected, products that have been misused, products in lack of maintenance, products that are subject to normal wear and tear, products affected by a crash or sudden obscure impact, products damaged due to improper installation/reinstallation, products used for any purpose other than the intended use and second hand purchased products.

Fully ceramic sealed bearings so indeed there is no risk of oxidation.

CONTACT US

Email for After Sales Service

sav@novatoride.com

Email for Product info

info@novatoride.com

HAVE A NICE RIDE

