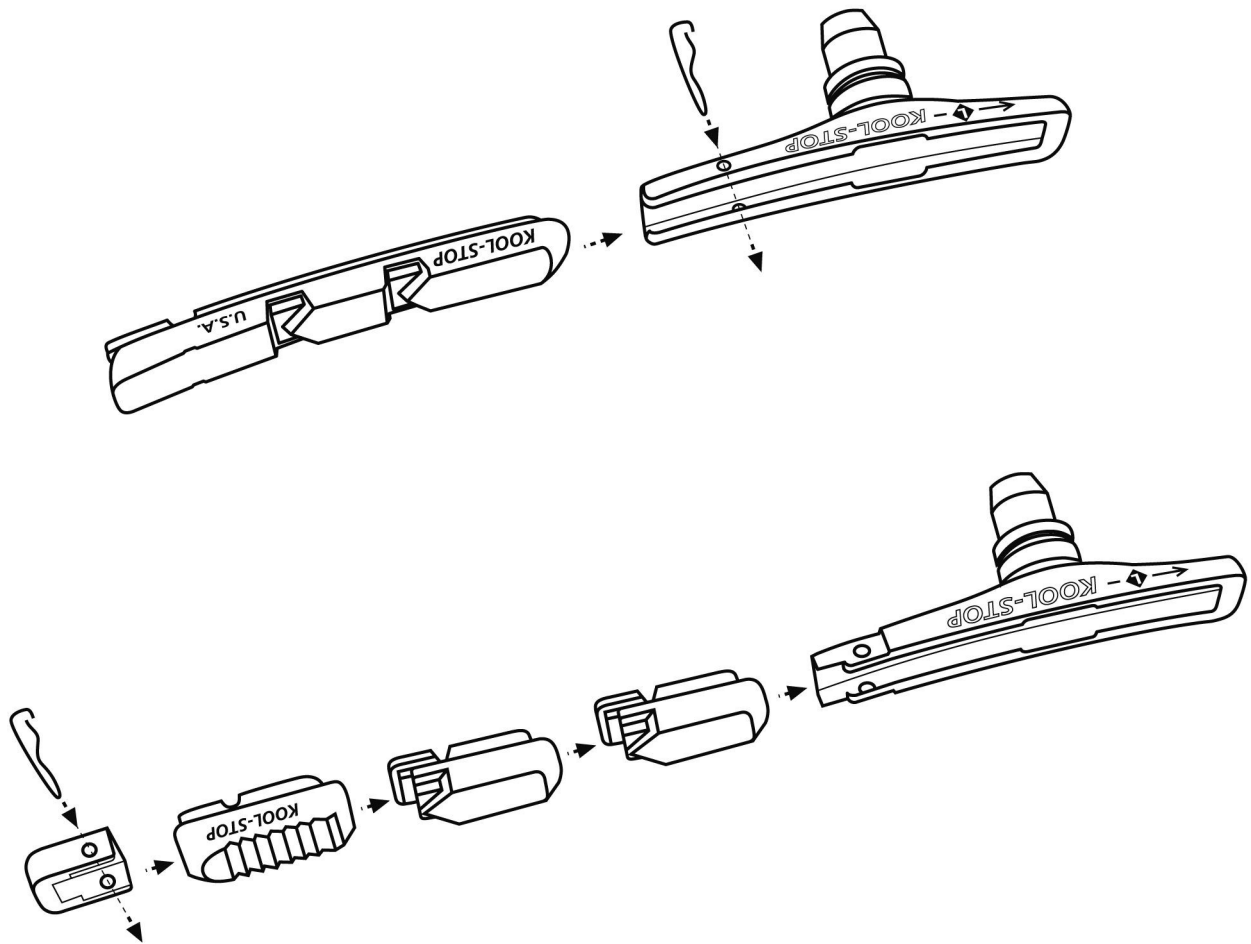




INSTALLATION INSTRUCTIONS REPLACEMENT PADS

- V-Brake
- Tectonic



- Remove keeper pin from holder.
- Slide old pad out of holder.
- Insert replacement pad so that notch lines up with keeper pinholes in pad holder.
- Replace keeper pin.

IMPORTANT: Designed for bicycle use only. Do not ride bike until brakes are checked and functioning properly. All Kool-Stop Pads meet or exceed C.P.S.C. and D.I.N bicycle standards"