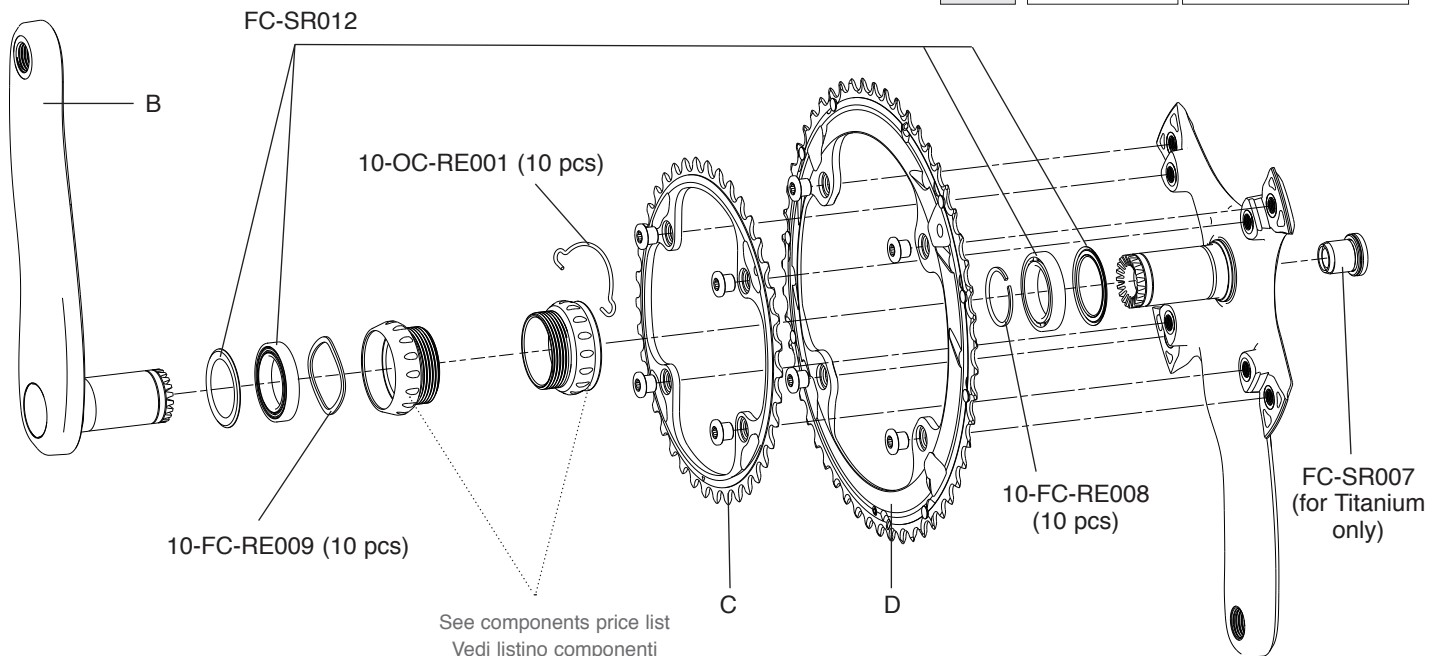


SUPER RECORD 11S

CARBON - ULTRA-TORQUE

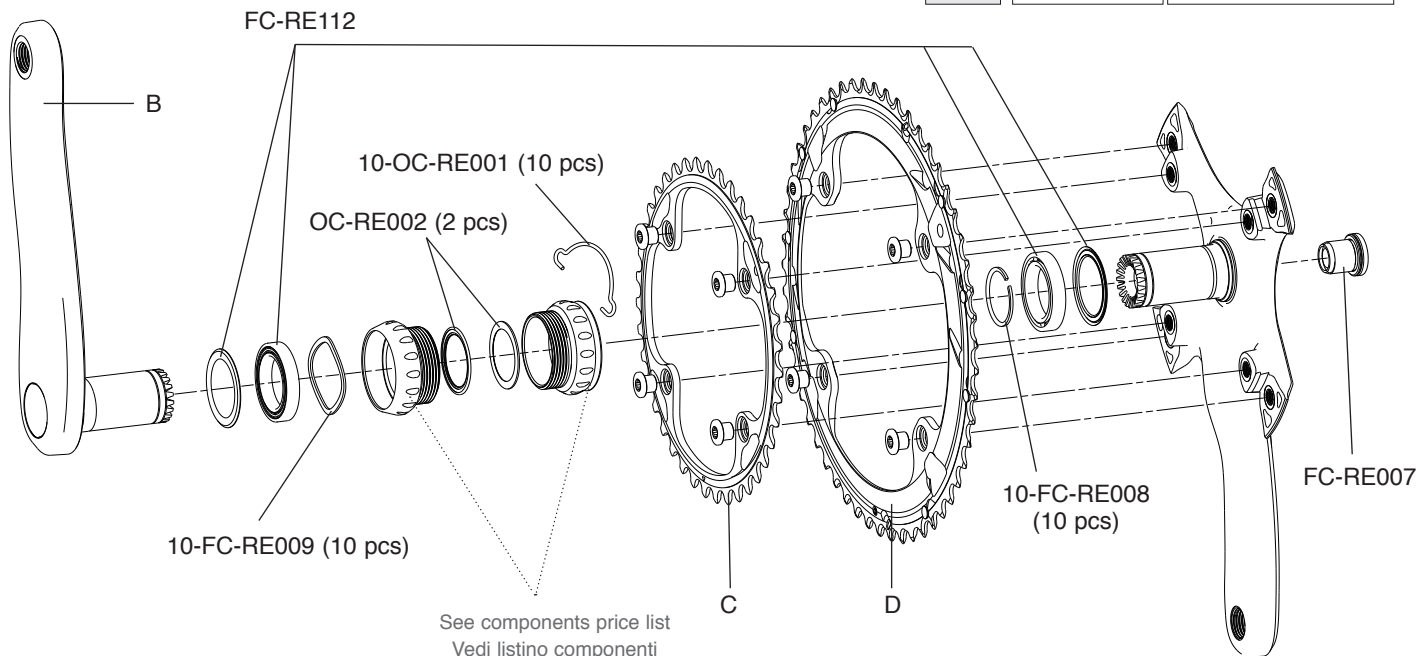
FC-SR300
KIT VITI / SCREWS&NUTS

| | | |
|----------|--|---|
| B | 170 mm 172,5 mm 175 mm | FC-SR081 FC-SR083 FC-SR085 |
| C | Z34 Z36 Z39 | FC-SR234 FC-SR136 FC-SR239 |
| D | Z50 for 34 Z52 for 36 Z53 for 39 | FC-SR350 FC-SR352 FC-SR353 |



FC-SR300
KIT VITI / SCREWS&NUTS

| | | |
|----------|--|---|
| B | 170 mm 172,5 mm 175 mm | FC-RE087 FC-RE089 FC-RE091 |
| C | Z34 Z36 Z39 | FC-SR234 FC-SR136 FC-SR239 |
| D | Z50 for 34 Z52 for 36 Z53 for 39 | FC-SR350 FC-SR352 FC-SR353 |

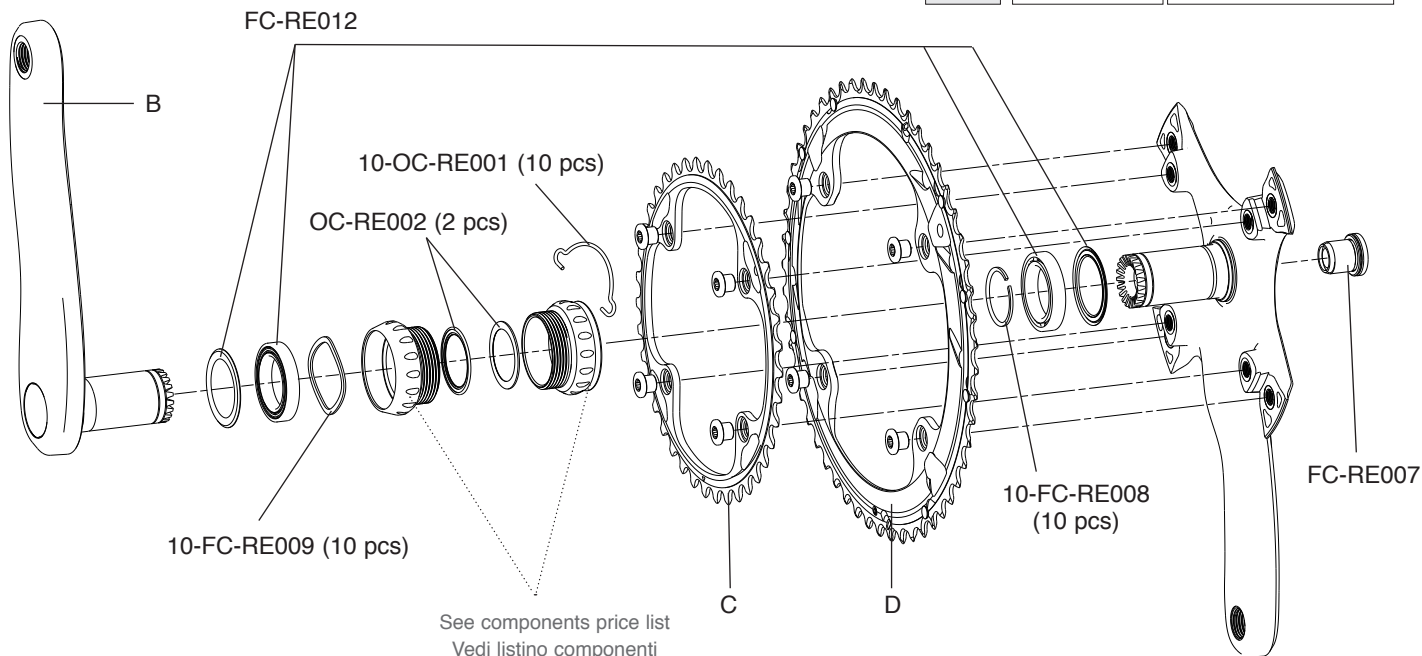


CHORUS 11S

CARBON - ULTRA-TORQUE

FC-SR300
KIT VITI / SCREWS&NUTS

| | | |
|----------|--|---|
| B | 170 mm 172,5 mm 175 mm | FC-CH113 FC-CH115 FC-CH117 |
| C | Z34 Z36 Z39 | FC-SR234 FC-SR136 FC-SR239 |
| D | Z50 for 34 Z52 for 36 Z53 for 39 | FC-SR350 FC-SR352 FC-SR353 |

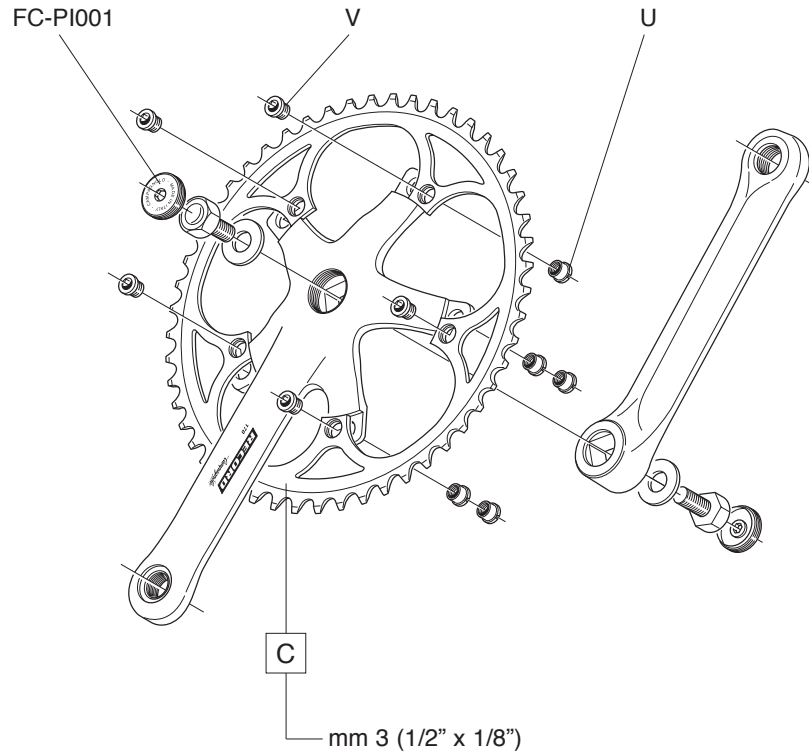


RECORD PISTA

ALUMINIUM

| | | |
|----------|------------|-----------------|
| C | Z47 | FC-PI047 |
| | Z48 | FC-PI048 |
| | Z49 | FC-PI049 |
| | Z50 | FC-PI050 |
| | Z51 | FC-PI051 |
| | Z52 | FC-PI052 |

FC-PI100
KIT VITI / SCREWS&NUTS
5 U + 5 V

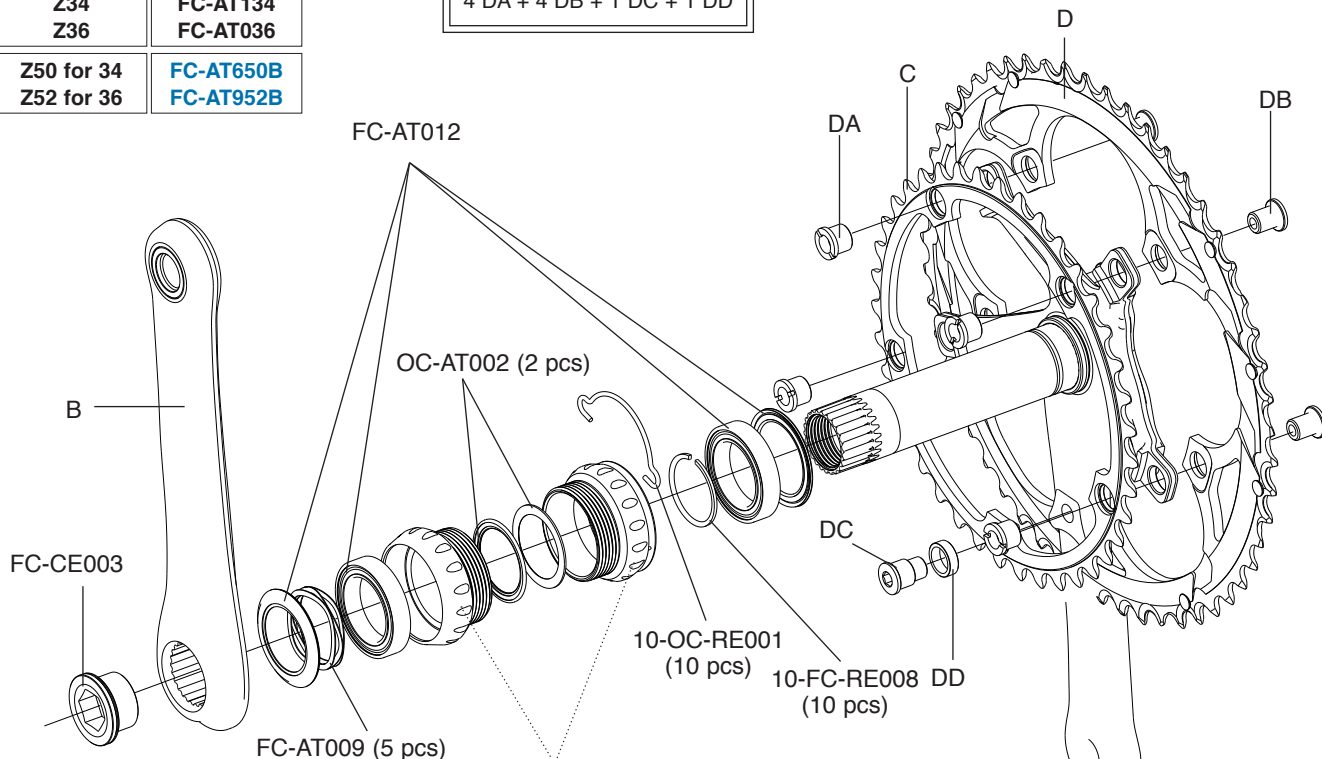


ATHENA 11S CT

CARBON - POWER-TORQUE

| | | |
|----------|------------|------------------|
| B | 165mm | FC-AT165C |
| | 170 mm | FC-AT763 |
| | 172,5 mm | FC-AT765 |
| | 175 mm | FC-AT767 |
| C | Z34 | FC-AT134 |
| | Z36 | FC-AT036 |
| D | Z50 for 34 | FC-AT650B |
| | Z52 for 36 | FC-AT952B |

FC-AT300
KIT VITI / SCREWS&NUTS
4 DA + 4 DB + 1 DC + 1 DD



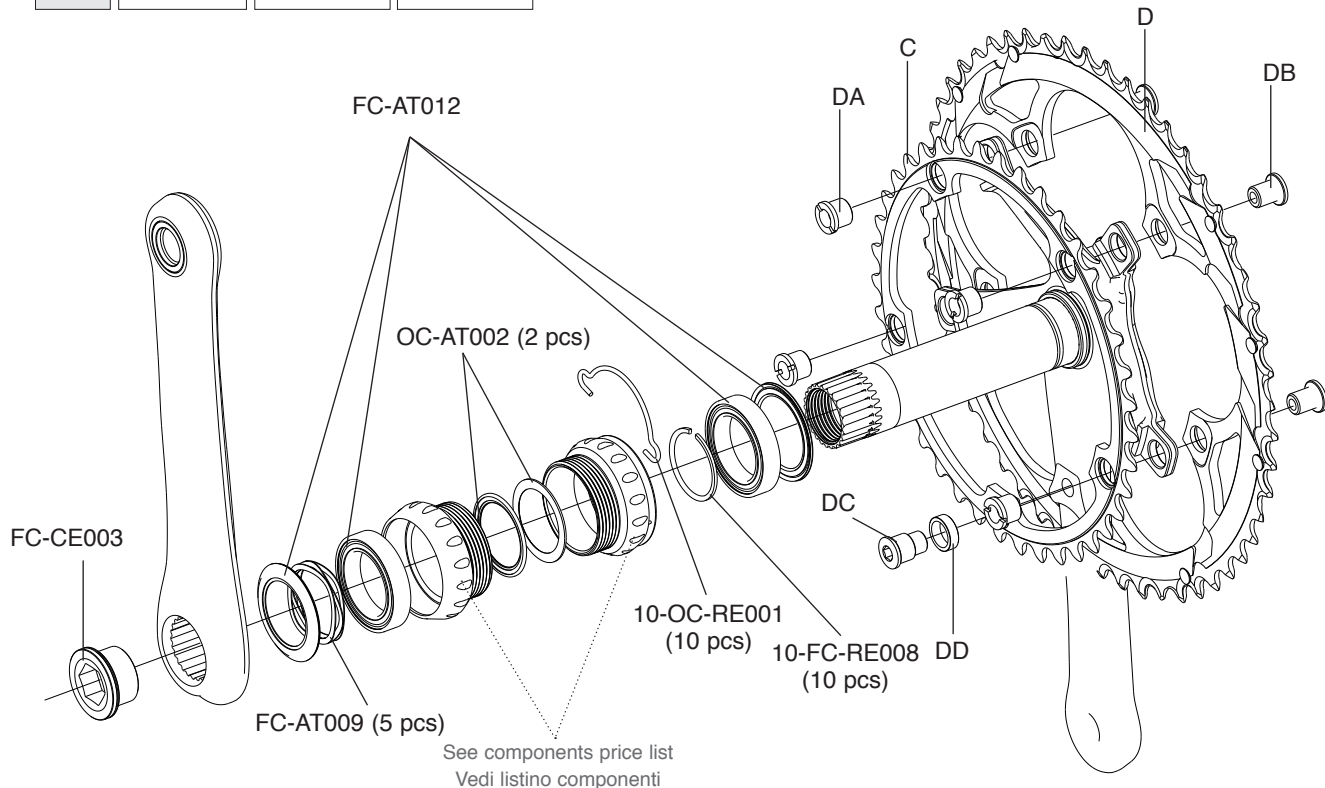
See components price list
Vedi listino componenti

ATHENA 11S

ALUMINIUM - POWER-TORQUE

| | | SILVER | BLACK |
|---|------------|-----------|-----------|
| C | Z39 | FC-AT239 | FC-AT139 |
| D | Z53 for 39 | FC-AT453S | FC-AT753B |

FC-AT200 (SILVER) - FC-AT200B (BLACK)
 KIT VITI / SCREWS&NUTS
 4 DA + 4 DB + 1 DC + 1 DD



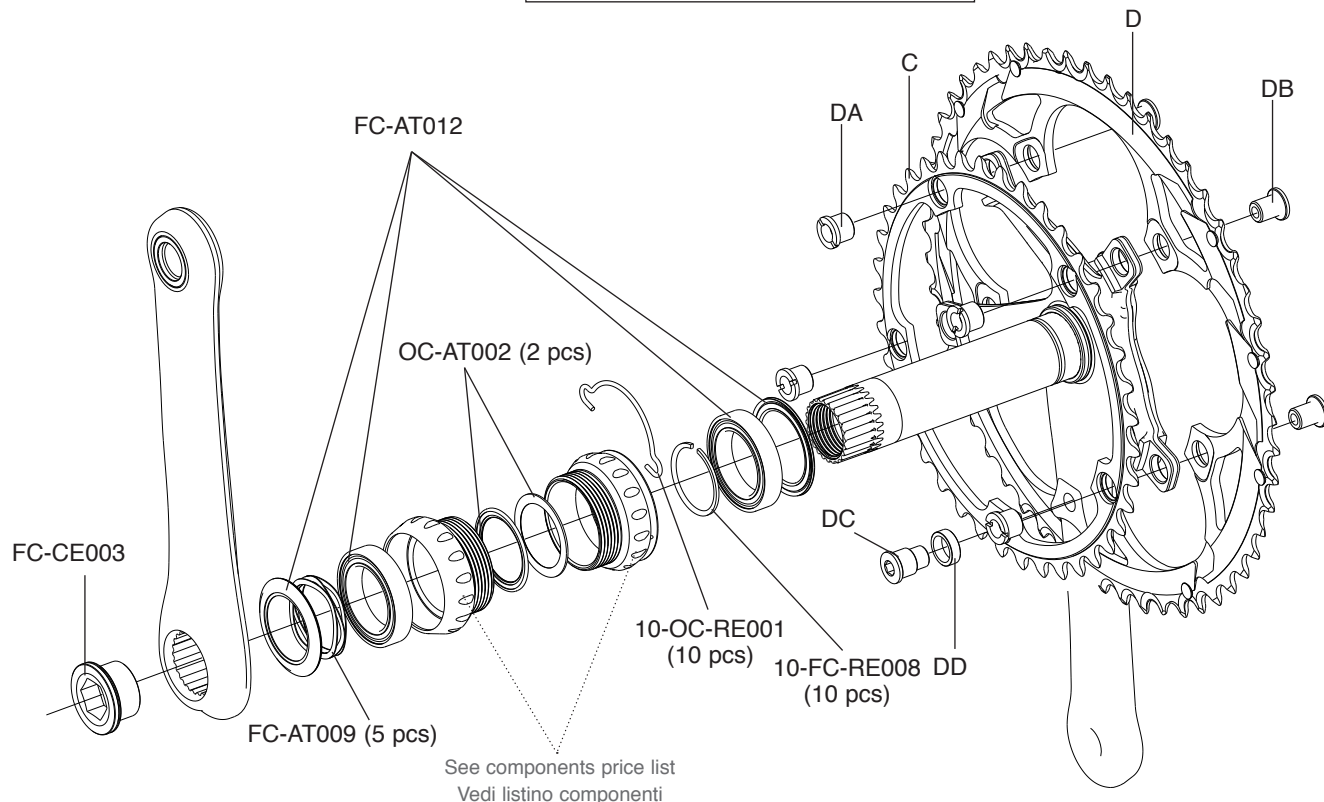
ATHENA 11S CT

ALUMINIUM - POWER-TORQUE

| | | SILVER | BLACK |
|---|------------|---------------|-----------|
| C | Z34 | FC-AT234 | FC-AT134 |
| | Z36 | not available | FC-AT036 |
| D | Z50 for 34 | FC-AT650S | FC-AT650B |
| | Z52 for 36 | not available | FC-AT952B |

FC-AT200 (SILVER) - FC-AT200B (BLACK)
KIT VITI / SCREWS&NUTS

4 DA + 4 DB + 1 DC + 1 DD



See components price list
Vedi listino componenti

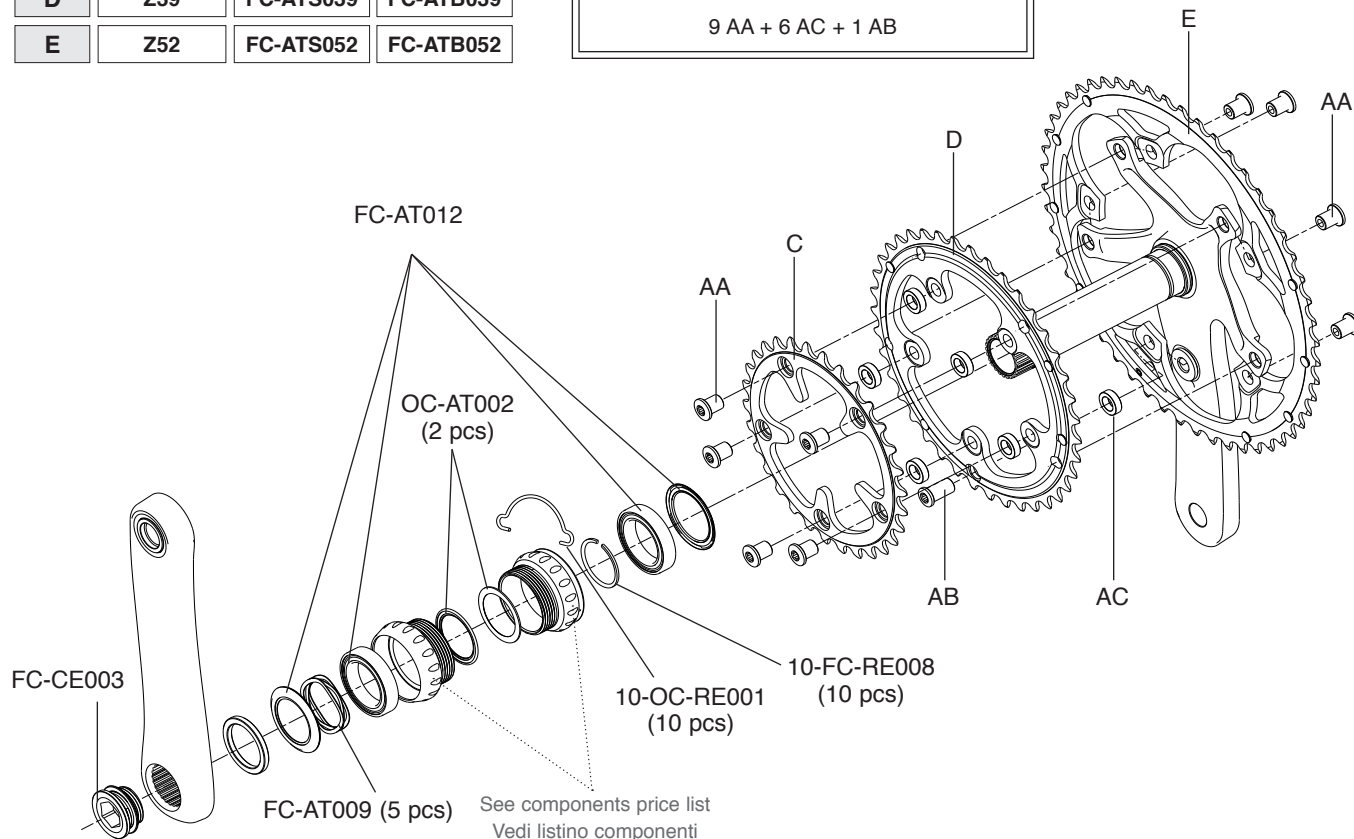
ATHENA TRIPLE 11S

ALUMINIUM - POWER-TORQUE

| | | SILVER | BLACK |
|---|-----|-----------|-----------|
| C | Z30 | FC-ATS030 | FC-ATB030 |
| D | Z39 | FC-ATS039 | FC-ATB039 |
| E | Z52 | FC-ATS052 | FC-ATB052 |

**FC-AT400 (BLACK/SILVER)
KIT VITI / SCREWS&NUTS**

9 AA + 6 AC + 1 AB

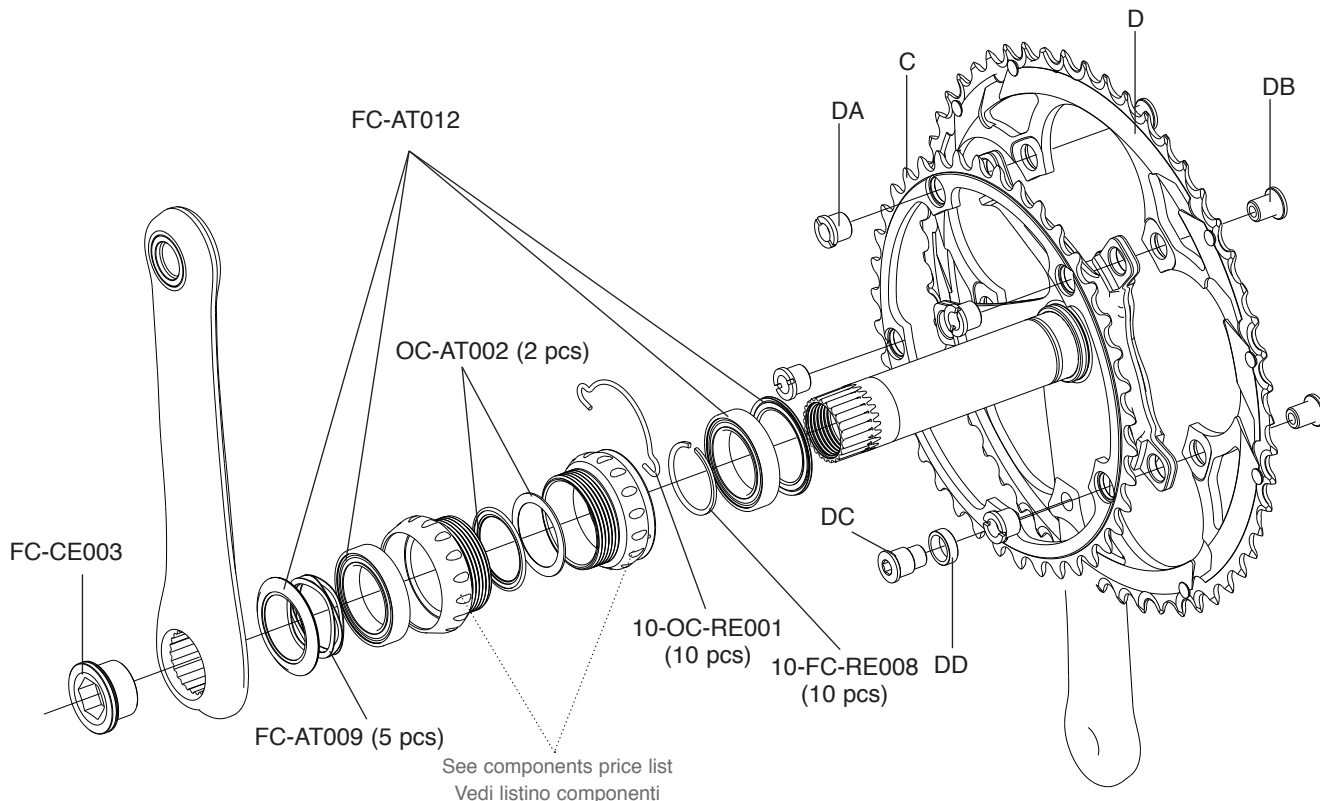


VELOCE 10S

ALUMINIUM - POWER-TORQUE

| | | BLACK | SILVER |
|---|--------------------------|----------------------|----------------------|
| C | Z39 | FC-VL339 | FC-VL439 |
| D | Z52 for 39 Z53 for 39 | FC-CE252 FC-CE253 | FC-VL652 FC-VL553 |

FC-VL200
KIT VITI / SCREWS&NUTS
 4 DA + 4 DB + 1 DC + 1 DD



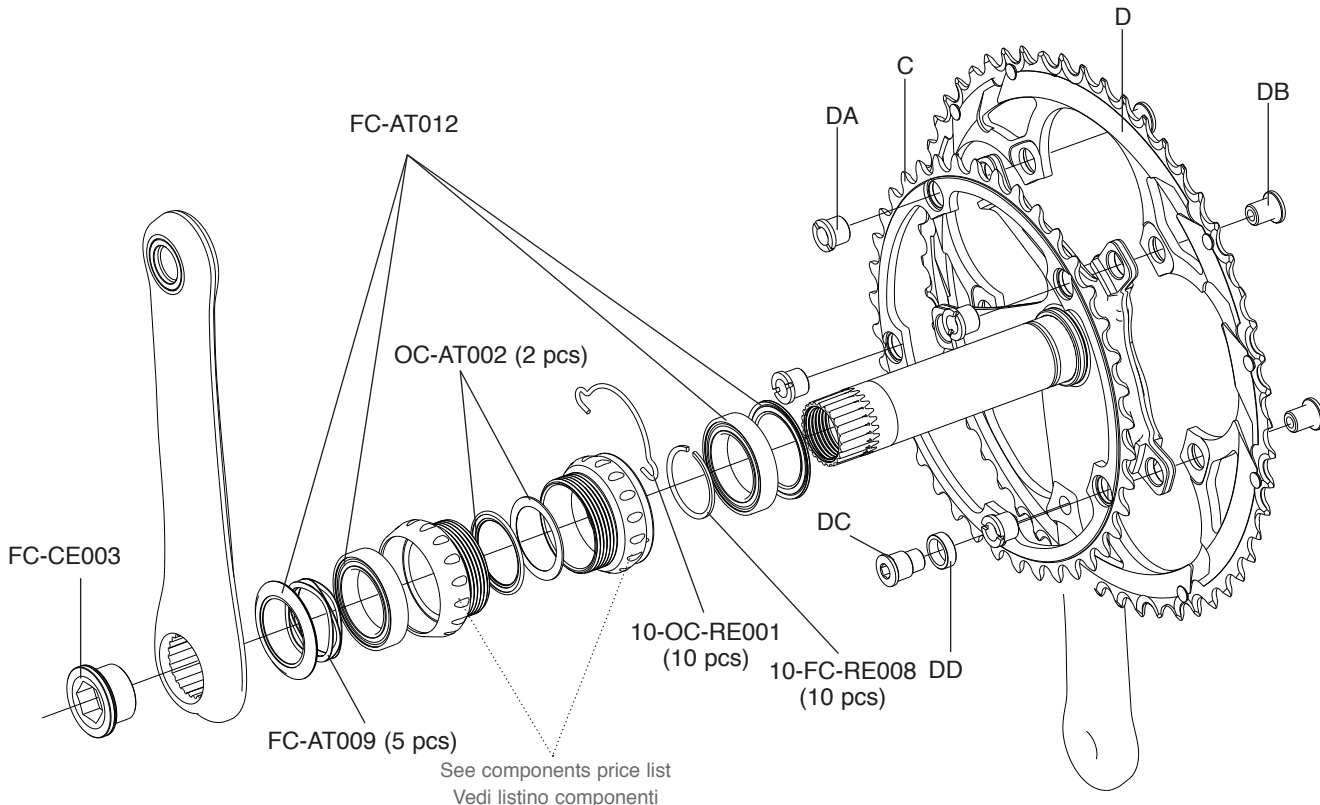
VELOCE 10S CT

ALUMINIUM - POWER-TORQUE

BLACK **SILVER**

| | | | |
|----------|-------------------|-----------------|-----------------|
| C | Z34 | FC-VL434 | FC-VL534 |
| D | Z50 for 34 | FC-CE450 | FC-VL450 |

FC-VL200
KIT VITI / SCREWS&NUTS
4 DA + 4 DB + 1 DC + 1 DD



See components price list
Vedi listino componenti

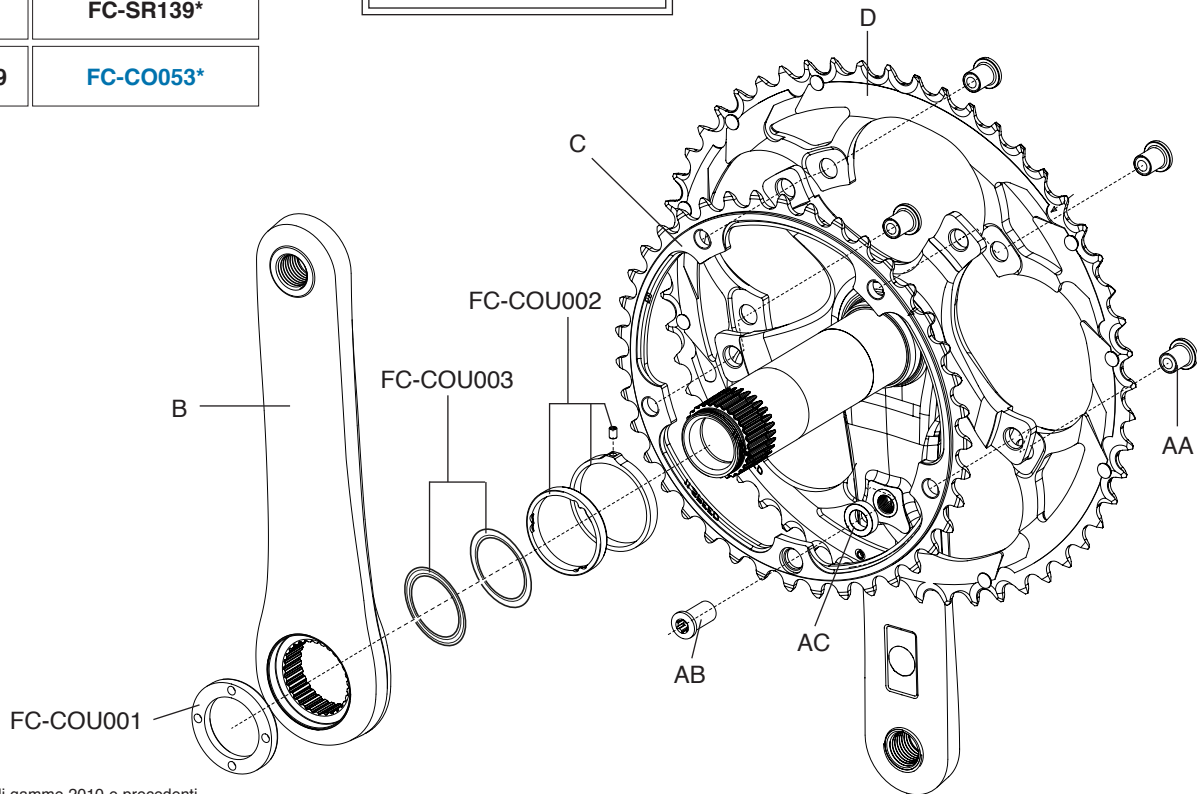
COMP ULTRA 11S

CARBON - OVER-TORQUE

| | | |
|---|------------------------------|-------------------------------------|
| B | 170 mm 172,5 mm 175 mm | FC-COU031 FC-COU033 FC-COU035 |
| C | Z39 | FC-SR139* |
| D | Z53 for 39 | FC-CO053* |

FC-SR200
KIT VITI / SCREWS&NUTS

4 AA + 1 AB + 1 AC



* non compatibili con ingranaggi di gamme 2010 e precedenti

* not compatible with 2010 range and previous chainrings

COMP ULTRA 11S CT

CARBON - OVER-TORQUE

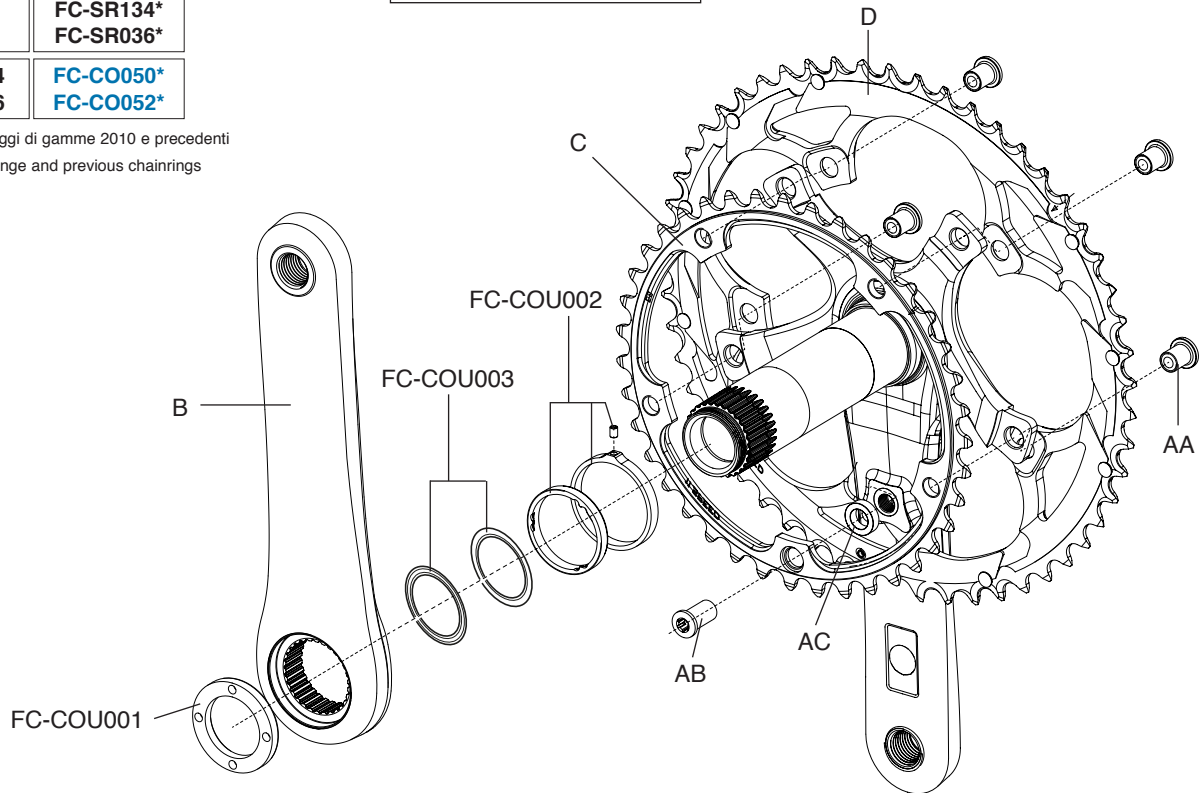
| | | |
|----------|------------------------------|-------------------------------------|
| B | 170 mm 172,5 mm 175 mm | FC-COU031 FC-COU033 FC-COU035 |
| C | Z34 Z36 | FC-SR134* FC-SR036* |
| D | Z50 for 34 Z52 for 36 | FC-CO050* FC-CO052* |

FC-SR200
KIT VITI / SCREWS&NUTS

4 AA + 1 AB + 1 AC

* non compatibili con ingranaggi di gamme 2010 e precedenti

* not compatible with 2010 range and previous chainrings



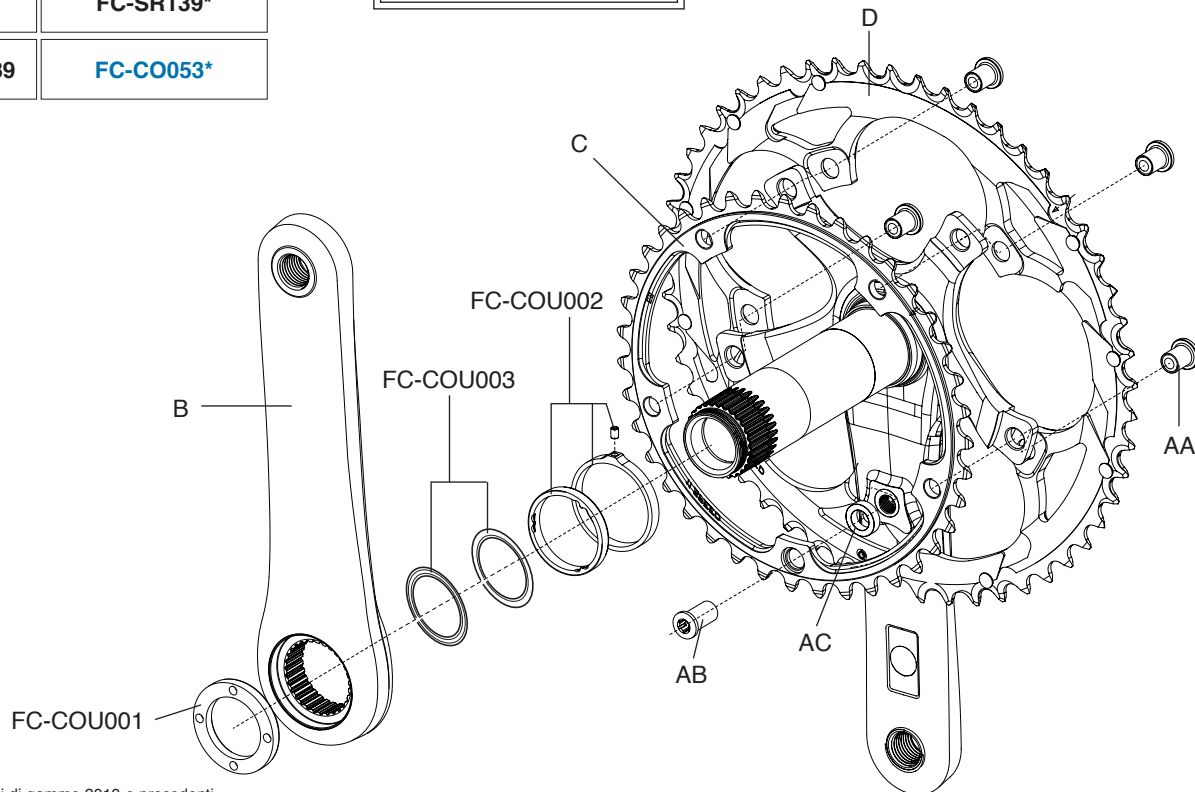
COMP ONE 11S

CARBON - OVER-TORQUE

| | | |
|----------|------------------------------|-------------------------------------|
| B | 170 mm 172,5 mm 175 mm | FC-CO1011 FC-CO1013 FC-CO1015 |
| C | Z39 | FC-SR139* |
| D | Z53 for 39 | FC-CO053* |

FC-SR200
KIT VITI / SCREWS&NUTS

4 AA + 1 AB + 1 AC



* non compatibili con ingranaggi di gamme 2010 e precedenti

* not compatible with 2010 range and previous chainrings

COMP ONE 11S CT

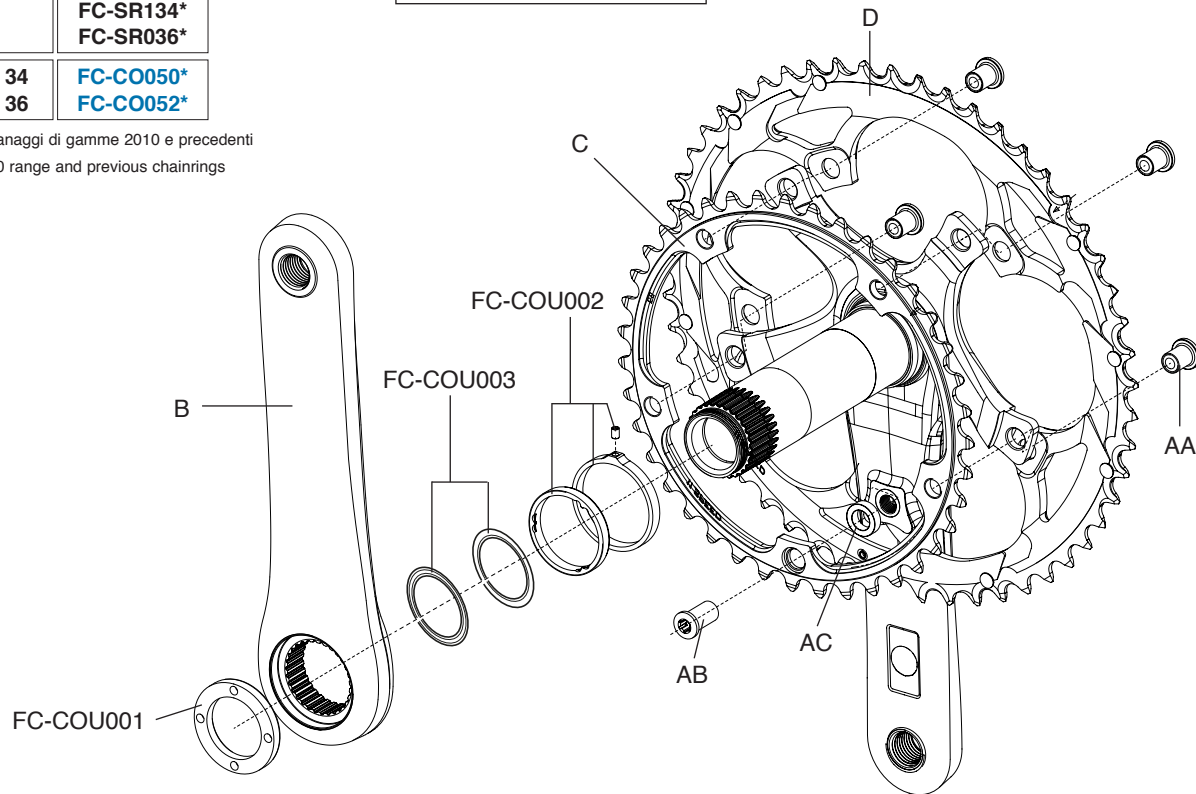
CARBON - OVER-TORQUE

| | | |
|----------|------------------------------|-------------------------------------|
| B | 170 mm 172,5 mm 175 mm | FC-CO1011 FC-CO1013 FC-CO1015 |
| C | Z34 Z36 | FC-SR134* FC-SR036* |
| D | Z50 for 34 Z52 for 36 | FC-CO050* FC-CO052* |

FC-SR200
KIT VITI / SCREWS&NUTS
4 AA + 1 AB + 1 AC

* non compatibili con ingranaggi di gamme 2010 e precedenti

* not compatible with 2010 range and previous chainrings

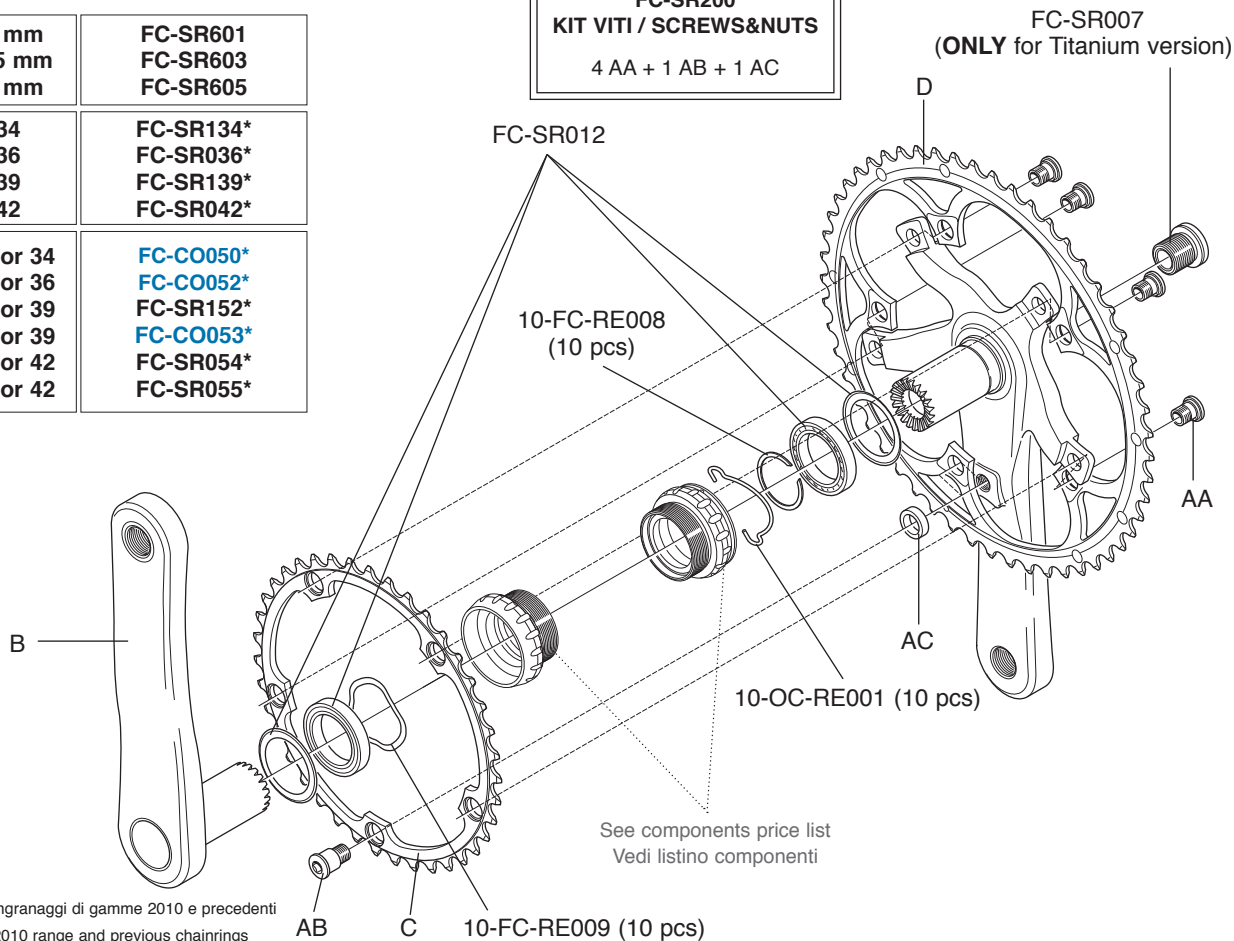


SUPER RECORD 11S MY 2011 - 2014

CARBON - ULTRA-TORQUE

| | | |
|----------|--|--|
| B | 170 mm 172,5 mm 175 mm | FC-SR601 FC-SR603 FC-SR605 |
| C | Z34 Z36 Z39 Z42 | FC-SR134* FC-SR036* FC-SR139* FC-SR042* |
| D | Z50 for 34 Z52 for 36 Z52 for 39 Z53 for 39 Z54 for 42 Z55 for 42 | FC-CO050* FC-CO052* FC-SR152* FC-CO053* FC-SR054* FC-SR055* |

**FC-SR200
KIT VITI / SCREWS&NUTS**
4 AA + 1 AB + 1 AC



* non compatibili con ingranaggi di gamme 2010 e precedenti

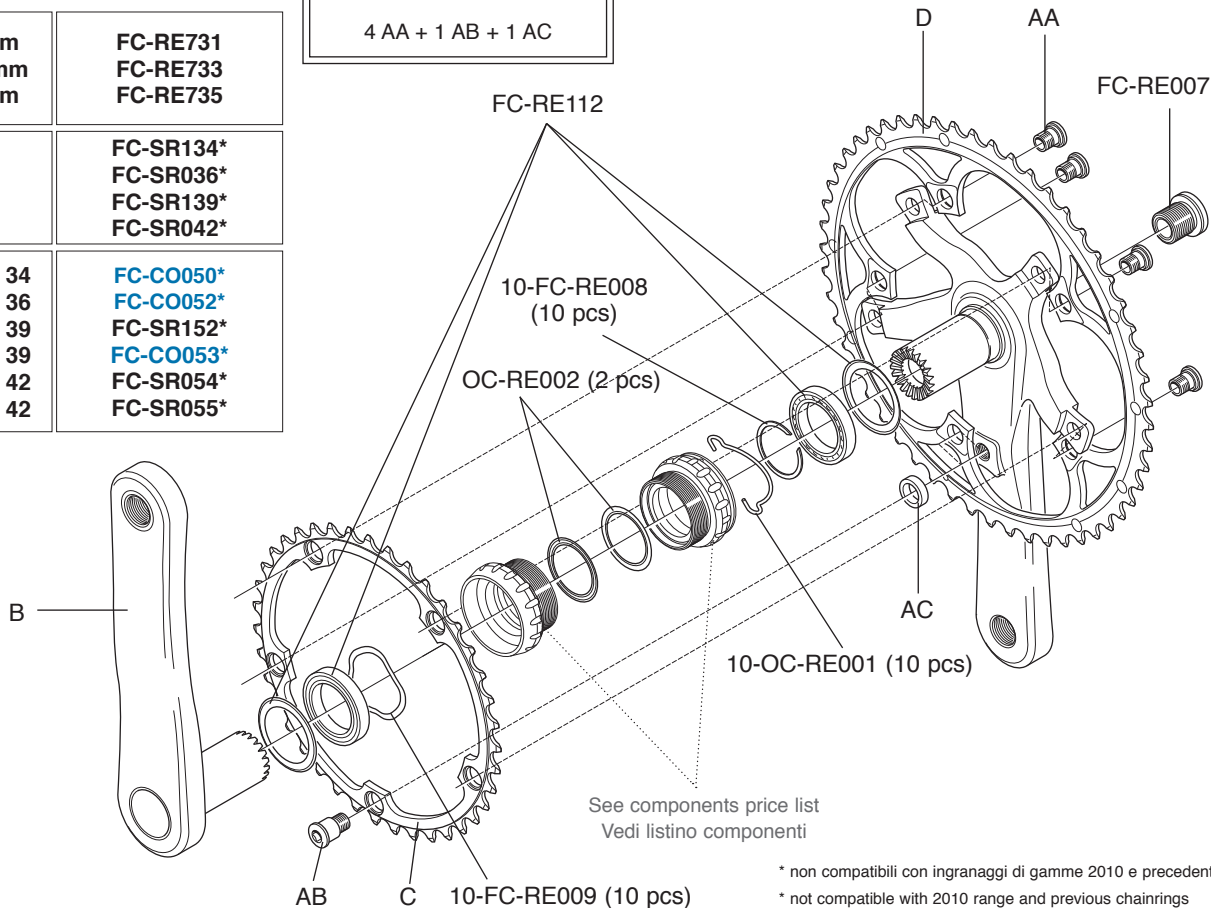
* not compatible with 2010 range and previous chainrings

RECORD 11S MY 2011 - 2014

CARBON - ULTRA-TORQUE

| | | |
|---|------------|-----------|
| B | 170 mm | FC-RE731 |
| | 172,5 mm | FC-RE733 |
| | 175 mm | FC-RE735 |
| C | Z34 | FC-SR134* |
| | Z36 | FC-SR036* |
| | Z39 | FC-SR139* |
| | Z42 | FC-SR042* |
| D | Z50 for 34 | FC-CO050* |
| | Z52 for 36 | FC-CO052* |
| | Z52 for 39 | FC-SR152* |
| | Z53 for 39 | FC-CO053* |
| | Z54 for 42 | FC-SR054* |
| | Z55 for 42 | FC-SR055* |

FC-SR200
KIT VITI / SCREWS&NUTS
 4 AA + 1 AB + 1 AC



* non compatibili con ingranaggi di gamme 2010 e precedenti

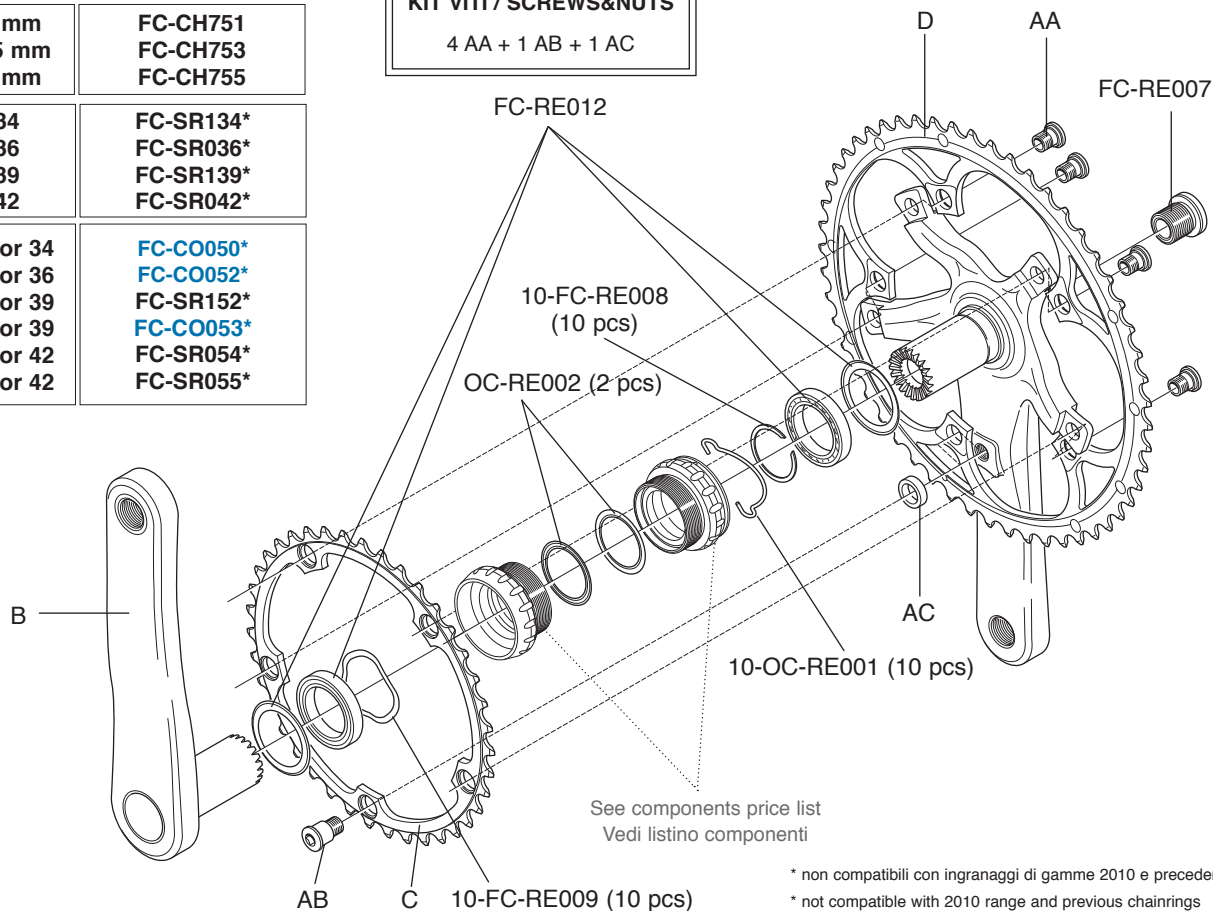
* not compatible with 2010 range and previous chainrings

CHORUS 11S MY 2011 - 2014

CARBON - ULTRA-TORQUE

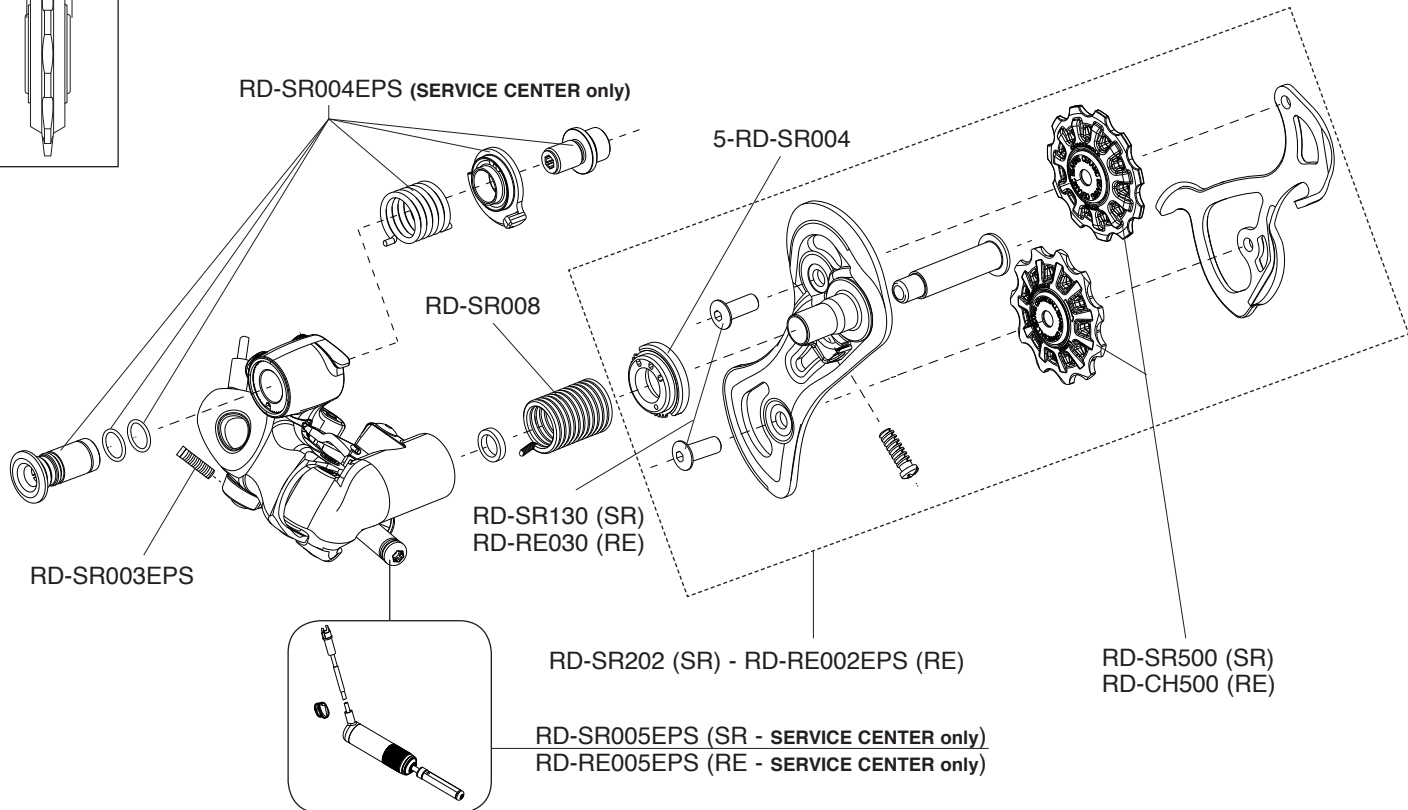
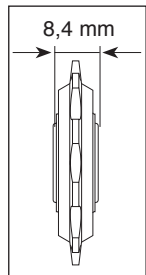
| | | |
|---|------------|-----------|
| B | 170 mm | FC-CH751 |
| | 172,5 mm | FC-CH753 |
| | 175 mm | FC-CH755 |
| C | Z34 | FC-SR134* |
| | Z36 | FC-SR036* |
| | Z39 | FC-SR139* |
| | Z42 | FC-SR042* |
| D | Z50 for 34 | FC-CO050* |
| | Z52 for 36 | FC-CO052* |
| | Z52 for 39 | FC-SR152* |
| | Z53 for 39 | FC-CO053* |
| | Z54 for 42 | FC-SR054* |
| | Z55 for 42 | FC-SR055* |

FC-SR200
KIT VITI / SCREWS&NUTS
 4 AA + 1 AB + 1 AC

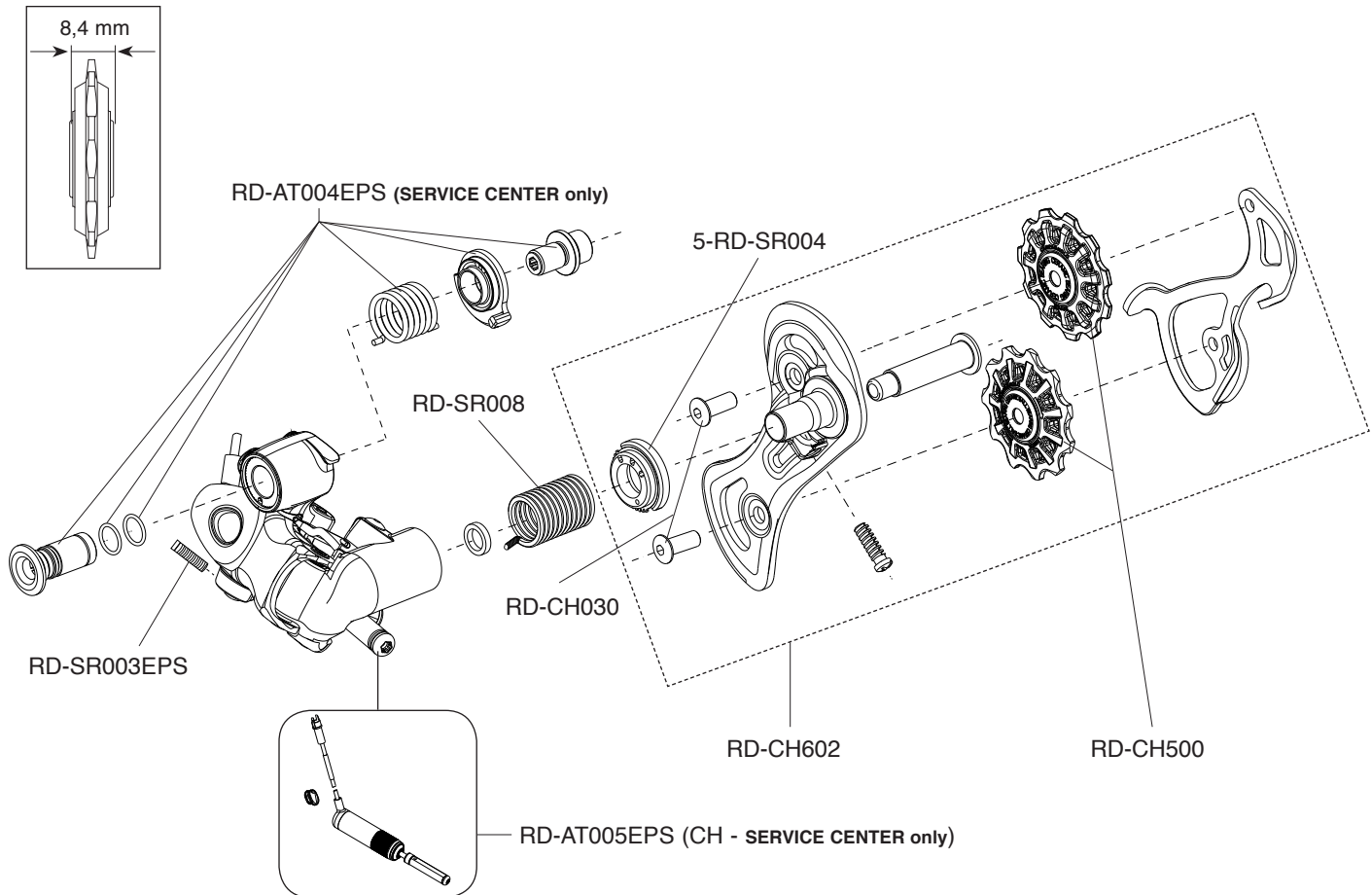


* non compatibili con ingranaggi di gamme 2010 e precedenti
 * not compatible with 2010 range and previous chainrings

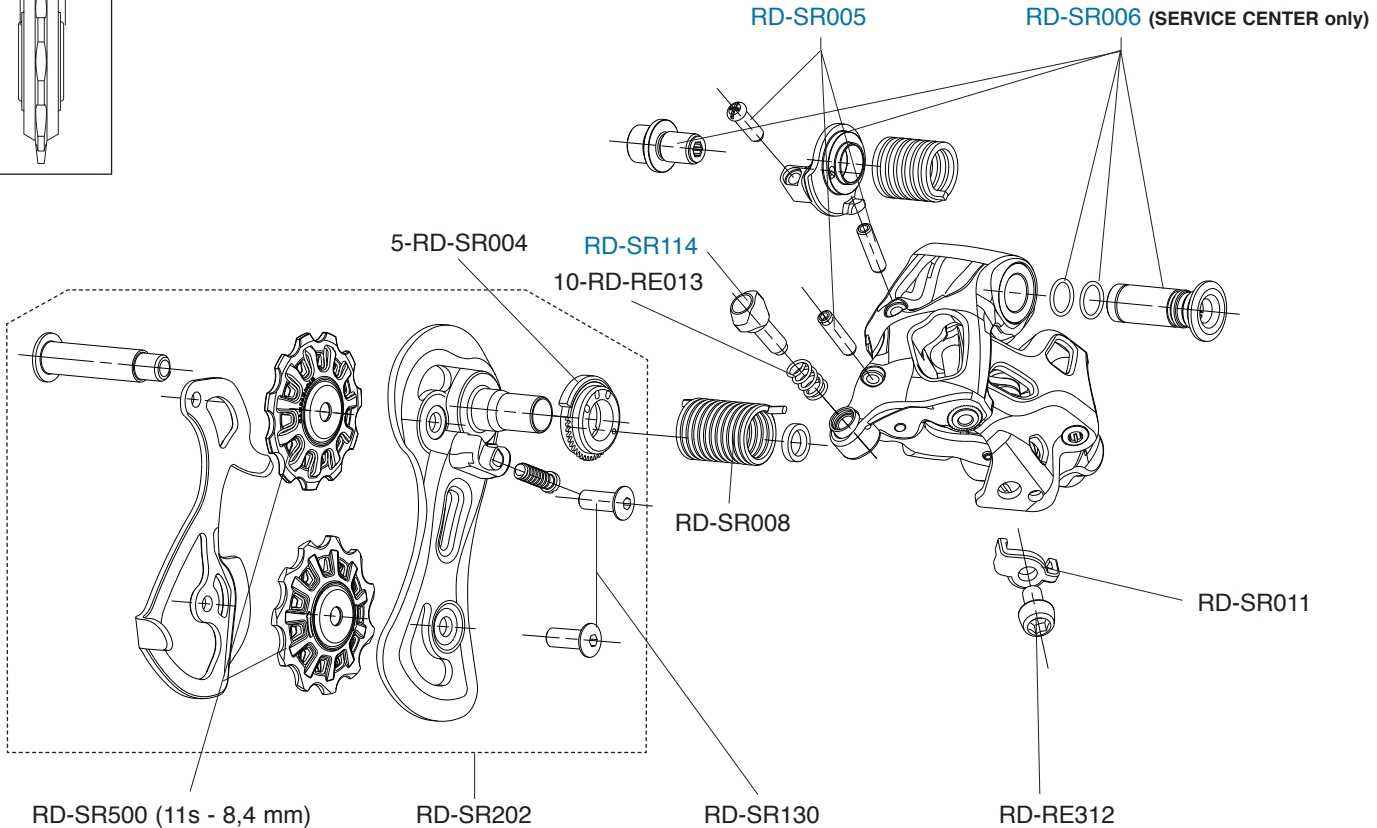
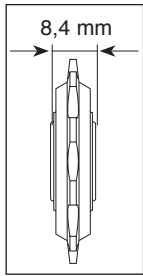
SUPER RECORD EPS / RECORD EPS



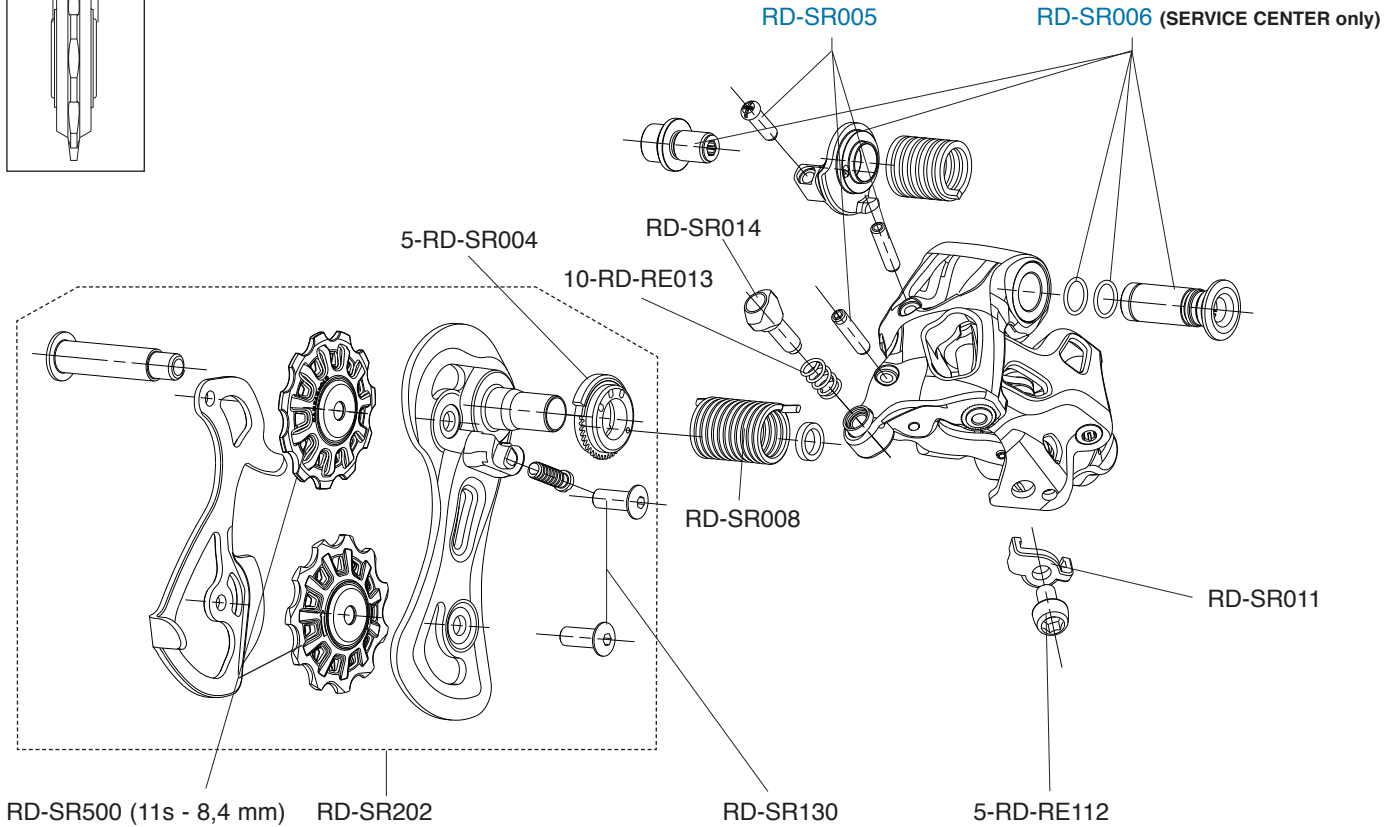
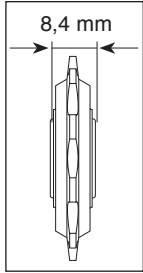
CHORUS EPS



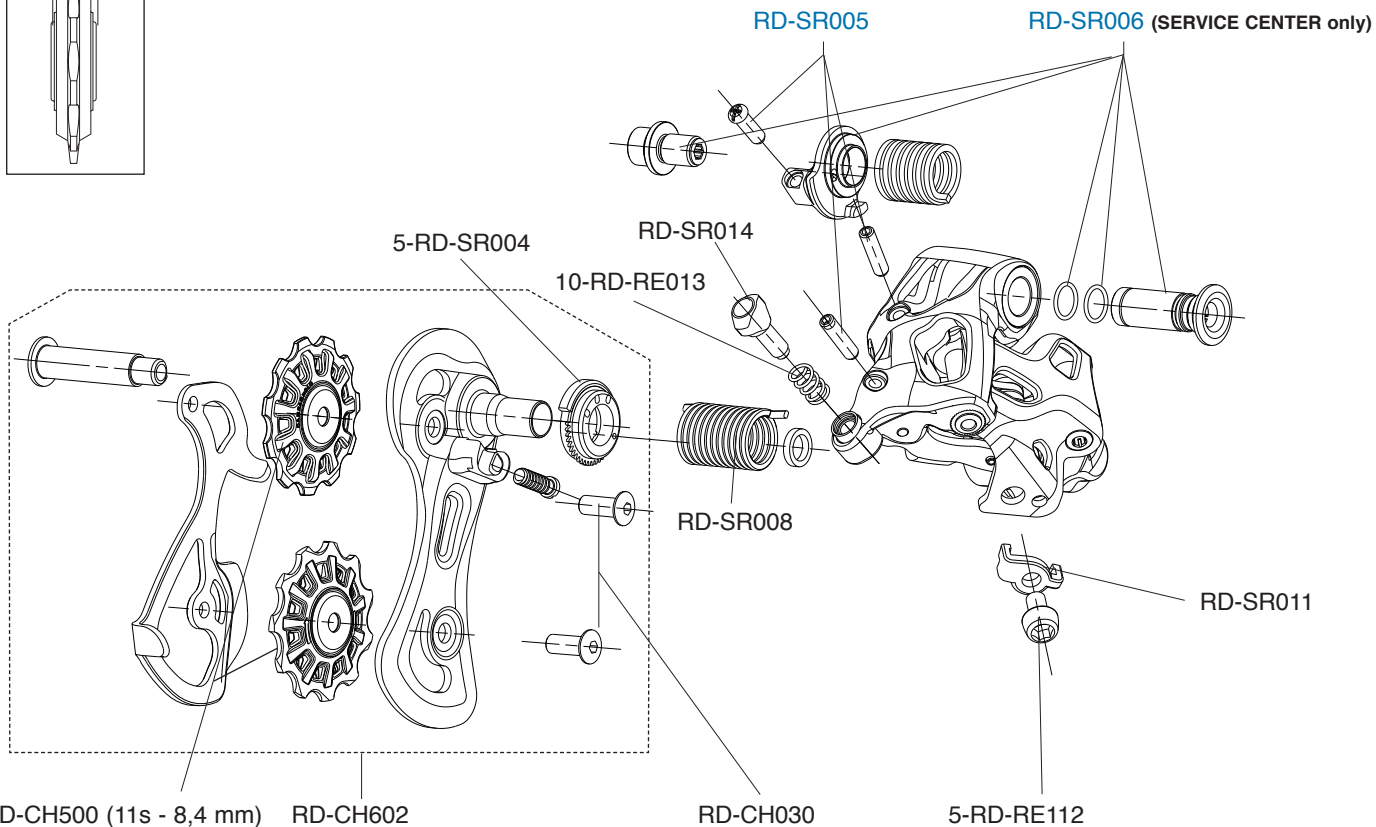
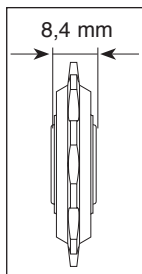
SUPER RECORD 11S



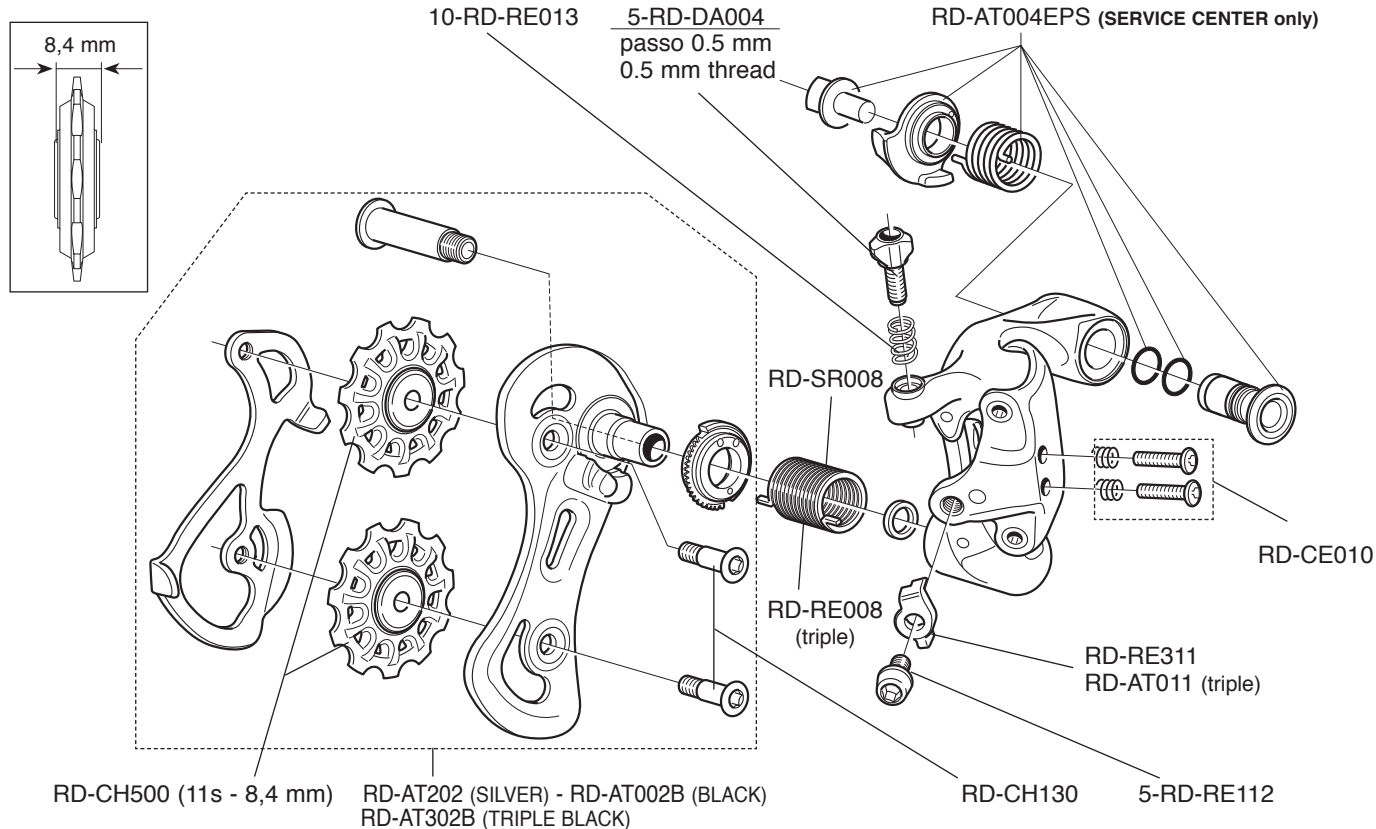
RECORD 11S



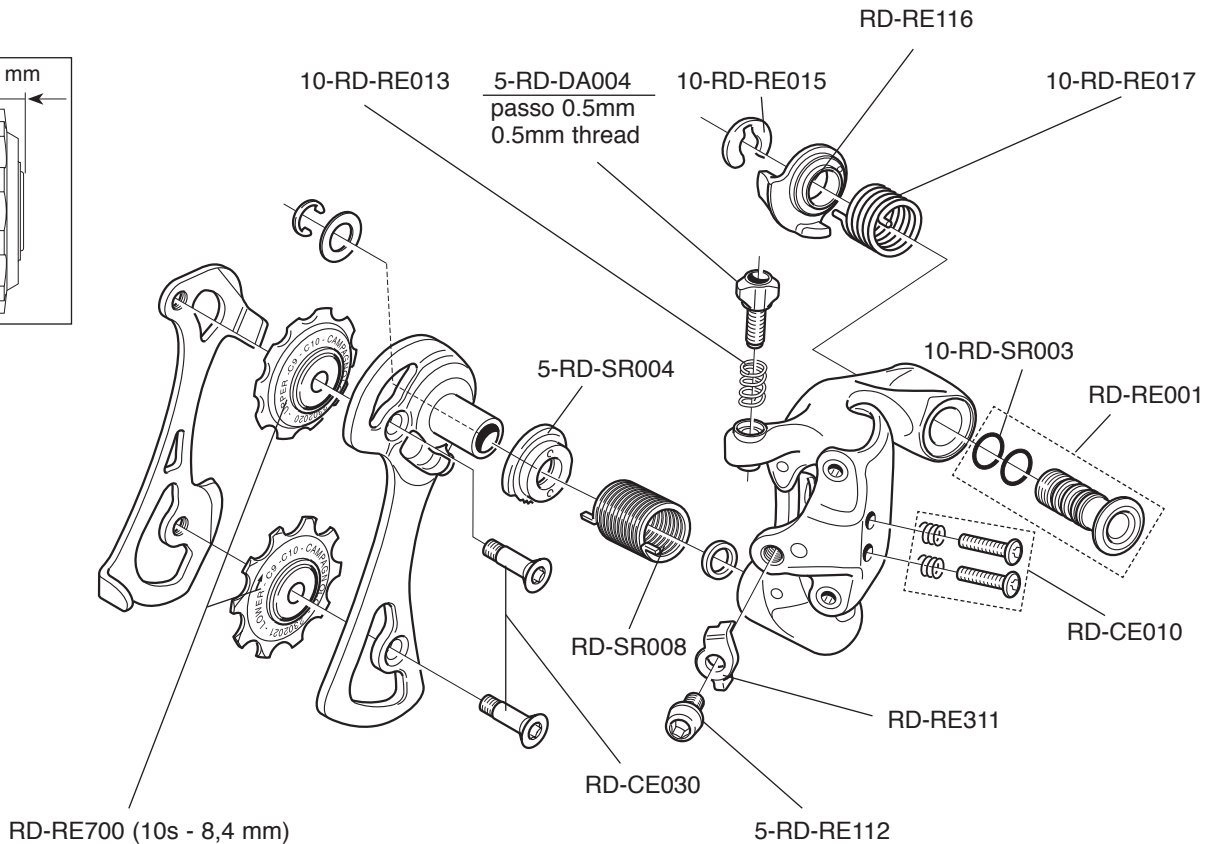
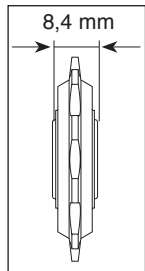
CHORUS 11S



ATHENA 11S / ATHENA TRIPLE 11S

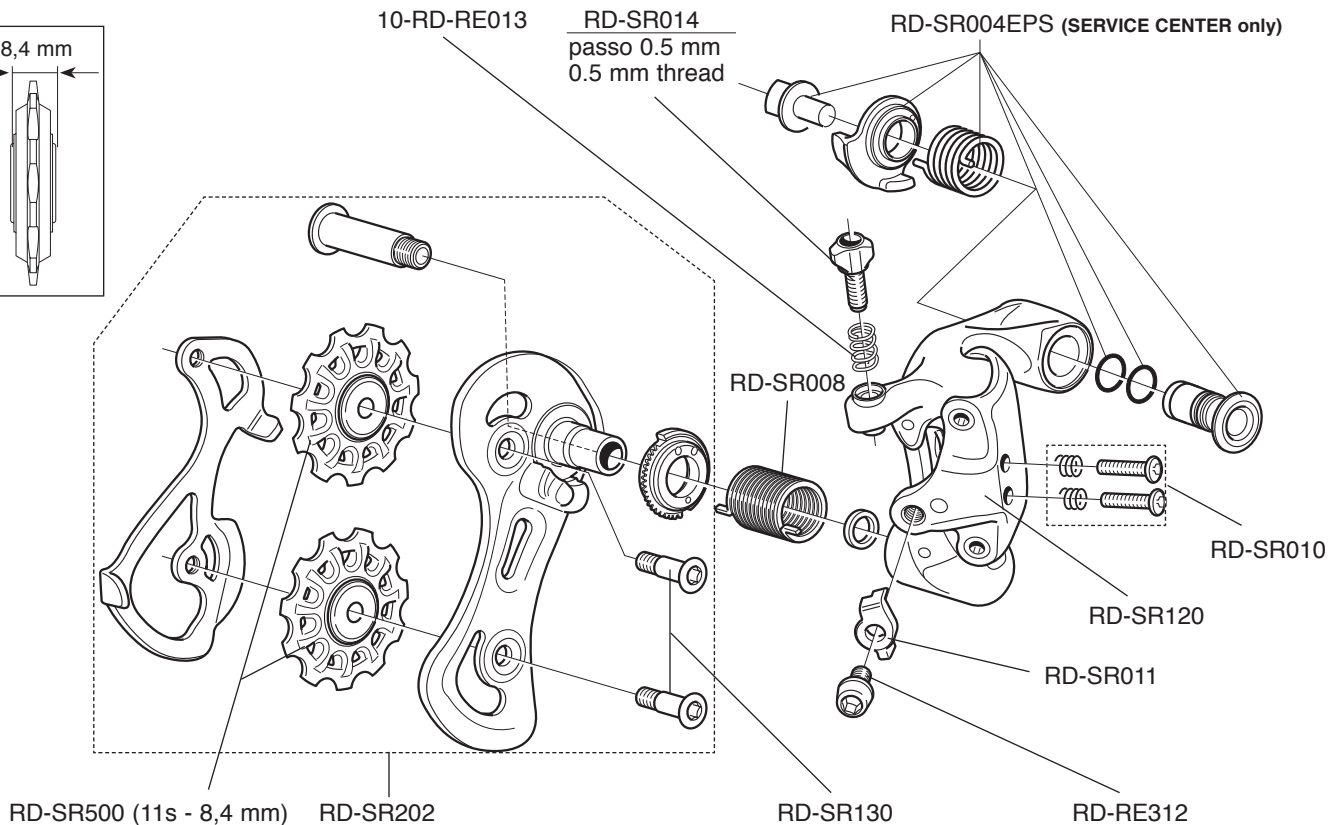
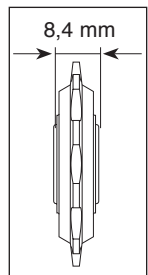


VELOCE 10S



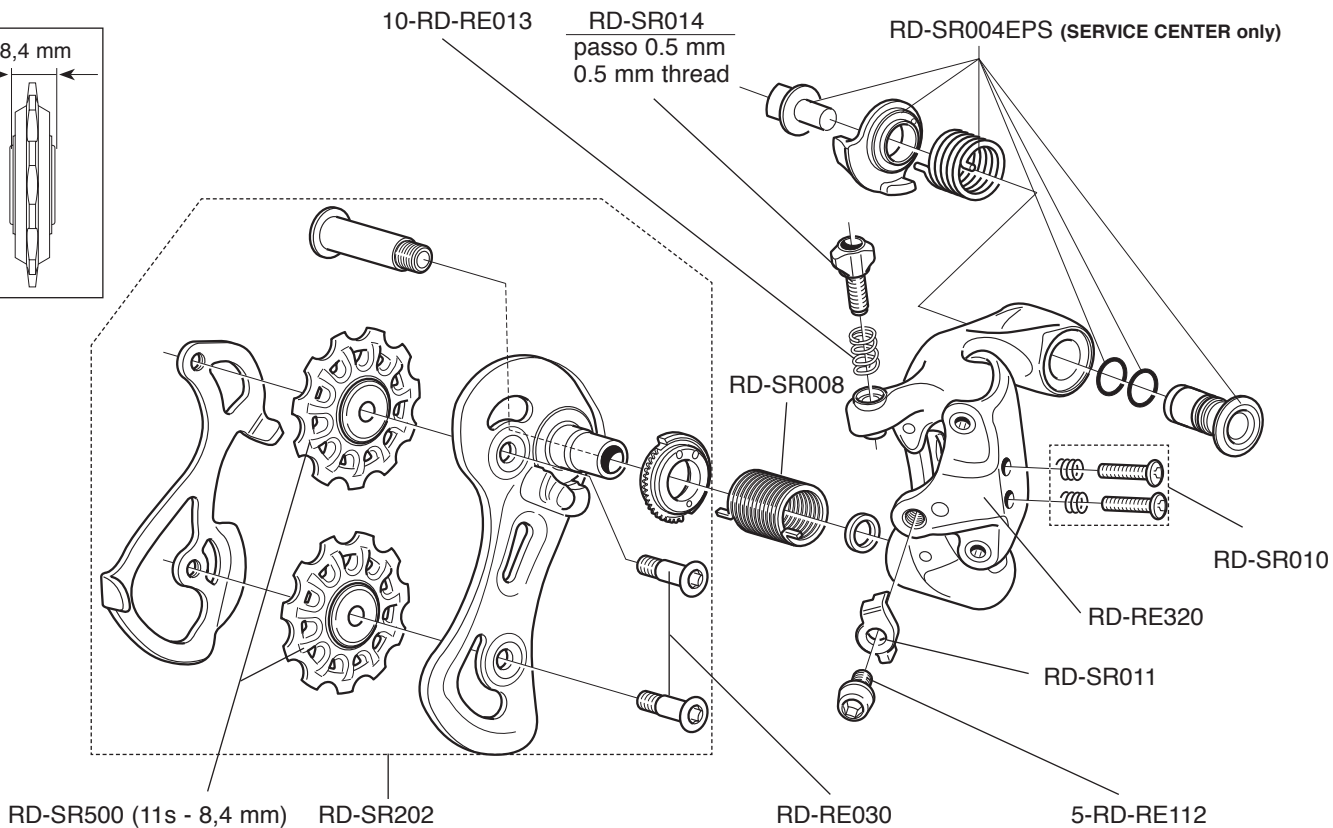
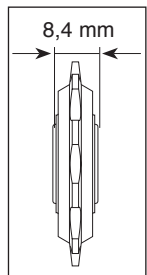
SUPER RECORD 11S MY 2011-2014

Complete rear derailleur: RD-11SR1SP



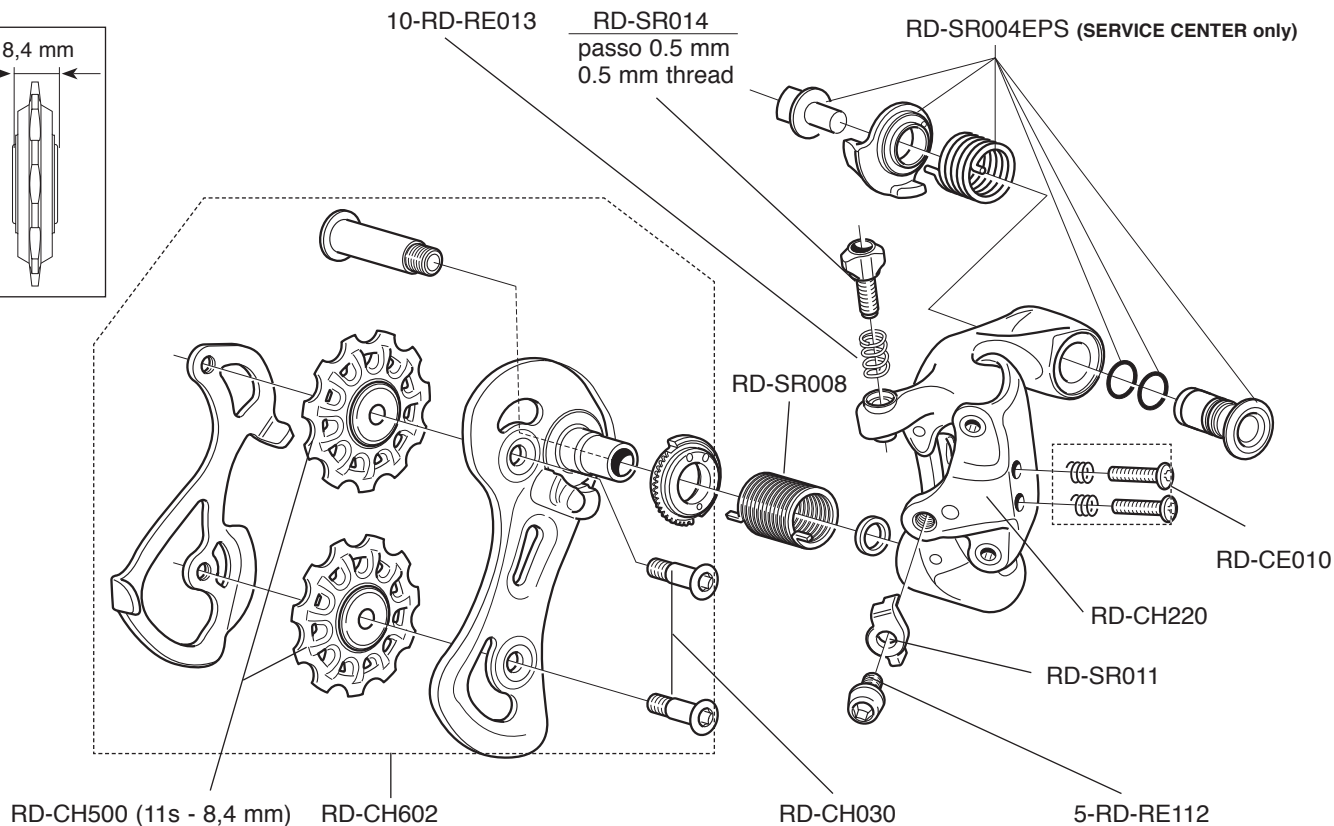
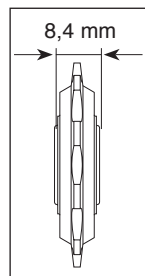
RECORD 11S MY 2011-2014

Complete rear derailleur: RD-11RE1SP

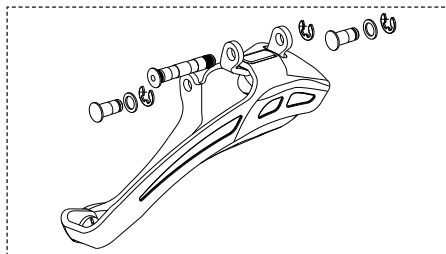
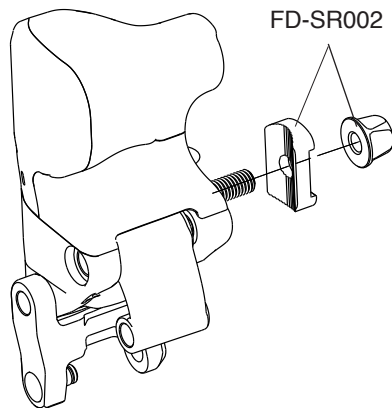


CHORUS 11S MY 2011-2014

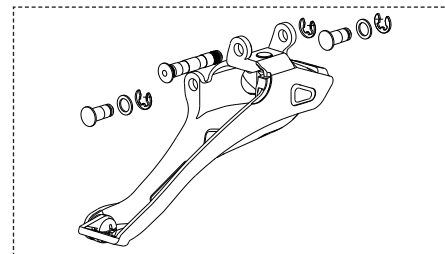
Complete rear derailleur: RD-11CH1SP



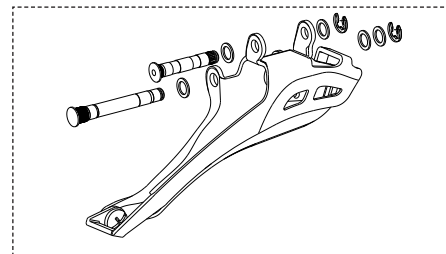
SUPER RECORD EPS / RECORD EPS / CHORUS EPS



SERVICE CENTER only!
FD-SR115EPS (SR)

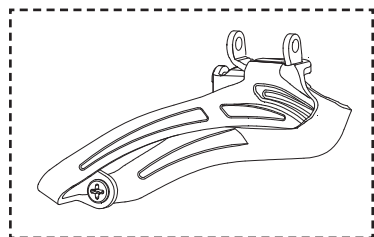


SERVICE CENTER only!
FD-RE115EPS (RE)



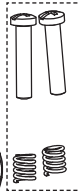
SERVICE CENTER only!
FD-CH015EPS (CH)

SUPER RECORD 11S



FD-SR115

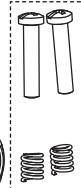
FD-SR102



RD-RE312

FD-RE016

FD-SR102

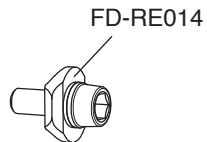


FD-SR006

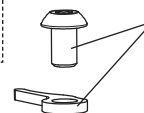
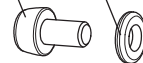


RD-RE312

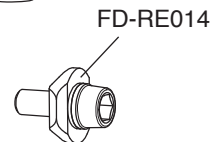
FD-RE016



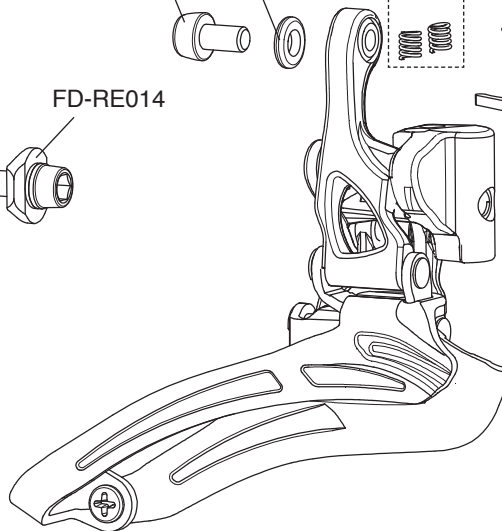
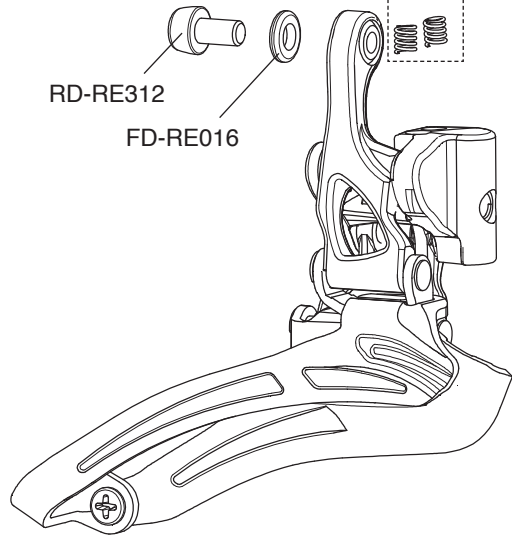
FD-RE014



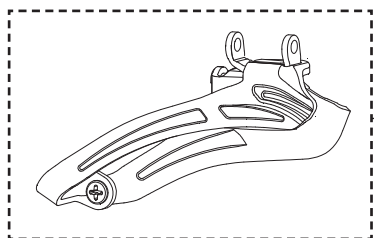
FD-SR006



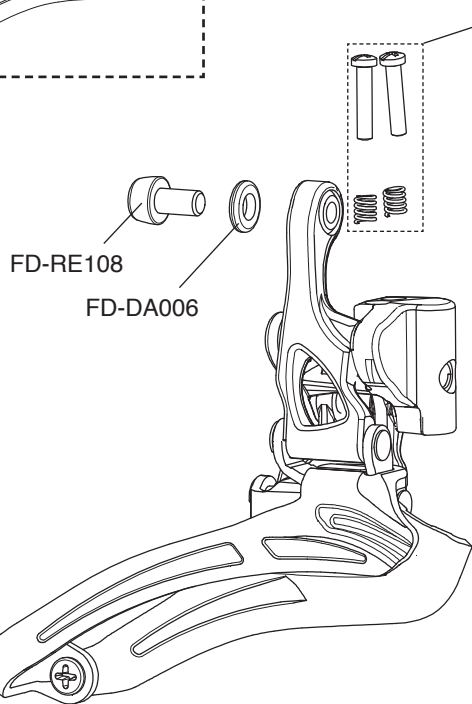
FD-RE014



RECORD 11S



FD-SR115



FD-RE108

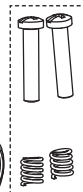
FD-DA006

FD-SR102

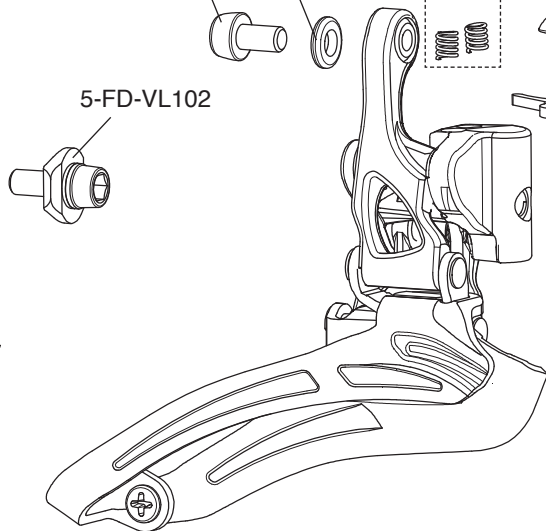
FD-RE108

FD-DA006

5-FD-VL102



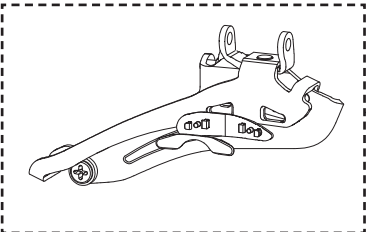
FD-SR102



FD-SR006

5-FD-VL102

CHORUS 11S



FD-CH015

FD-SR102



FD-RE108
FD-DA006

FD-RE108
FD-DA006

FD-SR102

FD-SR006

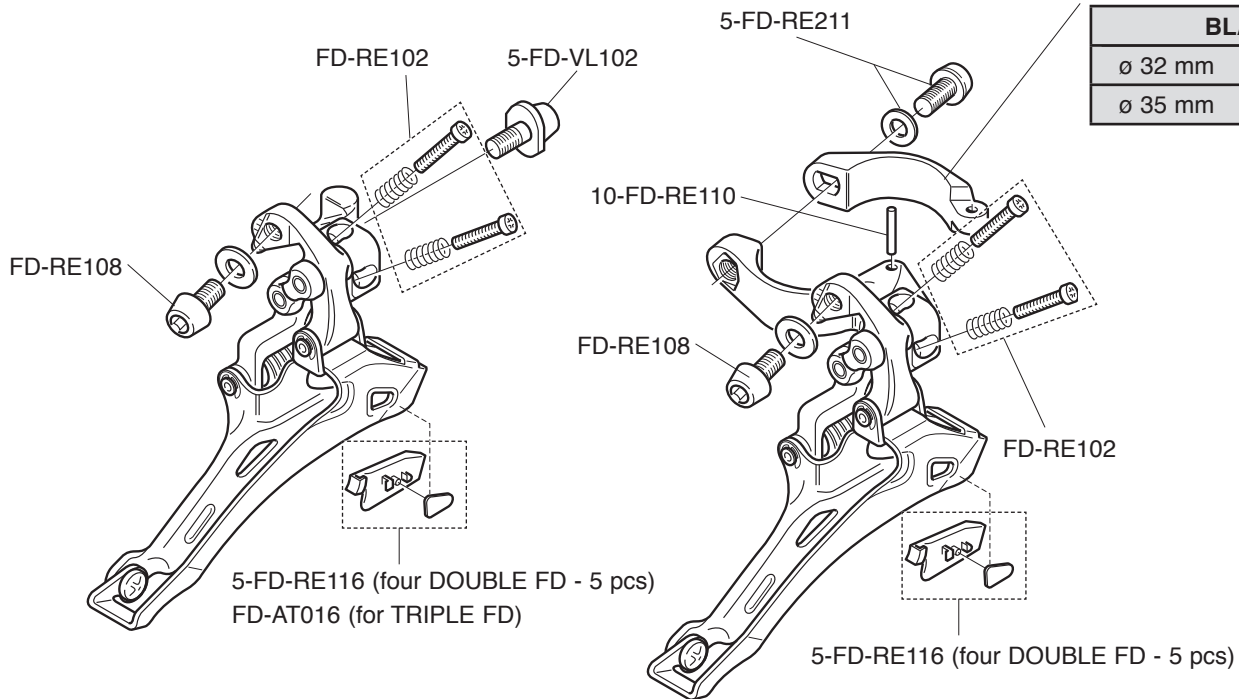
5-FD-VL102

5-FD-VL102

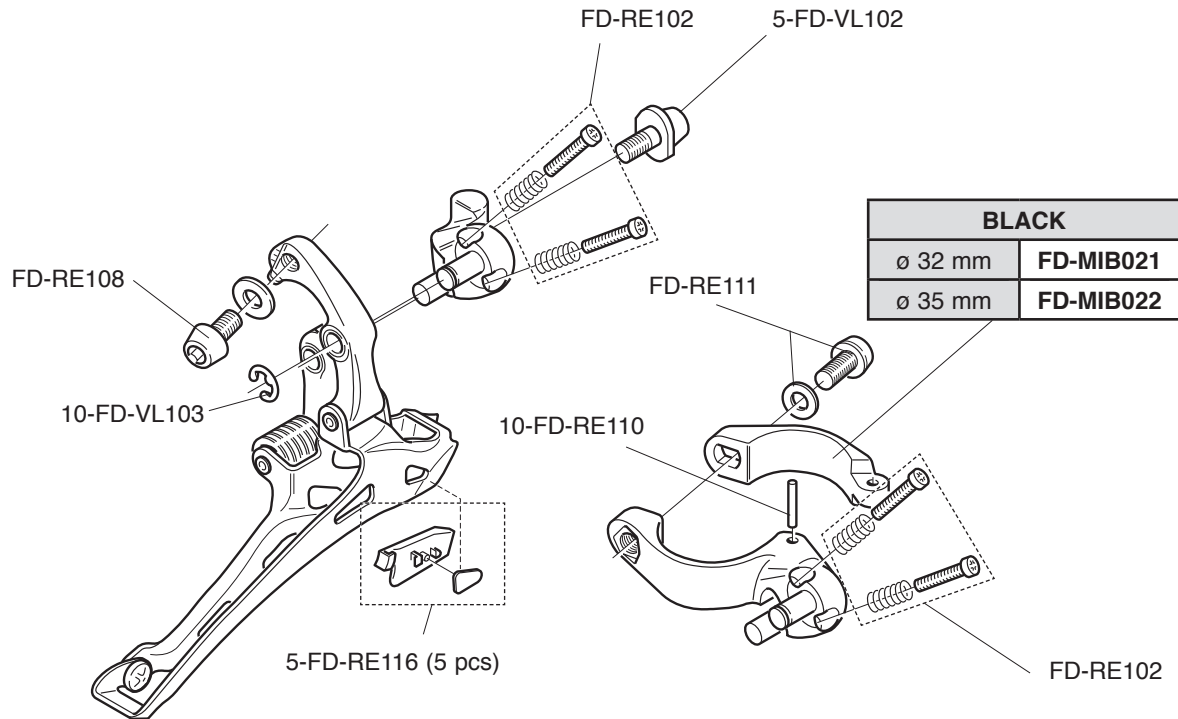
FD-CH016

FD-CH016

ATHENA 11S / ATHENA TRIPLE 11S

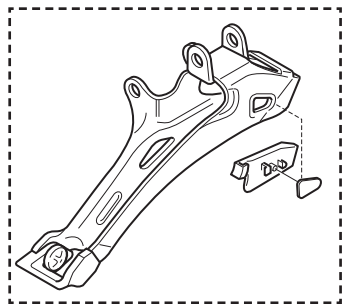


VELOCE 10S



SUPER RECORD 11S MY 2011-2014

Complete front derailleur: FD-11SR2BSP



FD-SR015

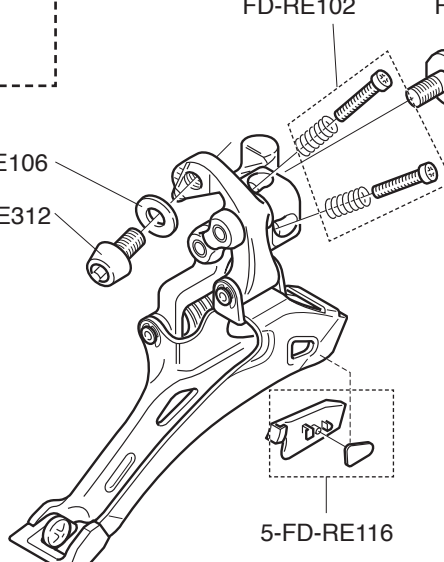
FD-RE102

FD-RE014

FD-RE106

RD-RE312

5-FD-RE116



| | |
|---------|----------|
| ø 32 mm | FD-SR021 |
| ø 35 mm | FD-SR022 |

FD-SR011

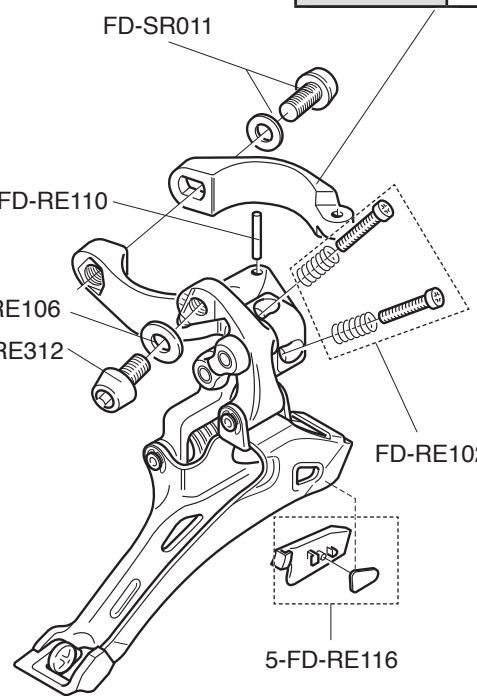
10-FD-RE110

FD-RE106

RD-RE312

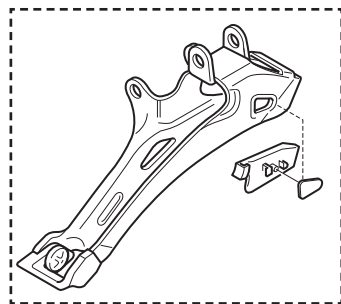
FD-RE102

5-FD-RE116



RECORD 11S MY 2011-2014

Complete front derailleur: FD-11RE2BSP



FD-SR015

FD-RE102

5-FD-VL102

FD-RE106

FD-RE108

10-FD-RE110

FD-RE106

FD-RE108

| | |
|---------|----------|
| ø 32 mm | FD-SR021 |
|---------|----------|

| | |
|---------|----------|
| ø 35 mm | FD-SR022 |
|---------|----------|

5-FD-RE211

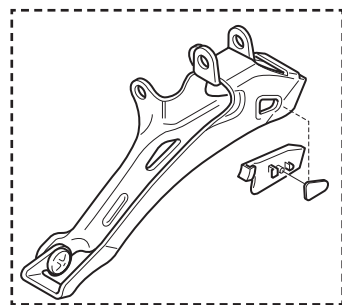
FD-RE102

5-FD-RE116

5-FD-RE116

CHORUS 11S MY 2011-2014

Complete front derailleur: FD-11CH2BSP



FD-CH301

FD-RE108

FD-RE102

5-FD-VL102

5-FD-RE116

| | |
|---------|----------|
| ø 32 mm | FD-SR021 |
| ø 35 mm | FD-SR022 |

5-FD-RE211

10-FD-RE110

FD-RE108

FD-RE102

5-FD-RE116

SUPER RECORD EPS 11S

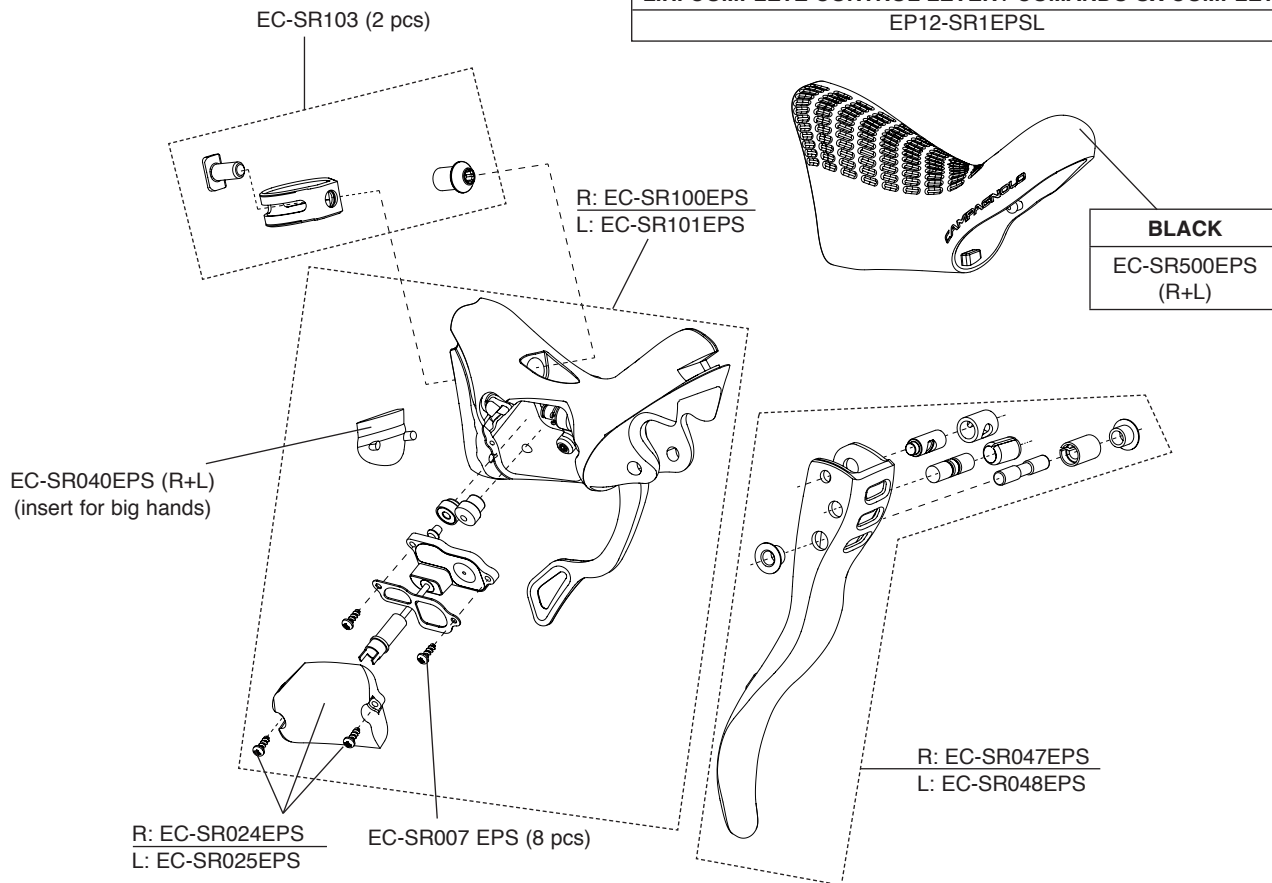
CARBON

R.H. COMPLETE CONTROL LEVER / COMANDO DX COMPLETO

EP12-SR1EPSR

L.H. COMPLETE CONTROL LEVER / COMANDO SX COMPLETO

EP12-SR1EPSL



RECORD EPS 11S

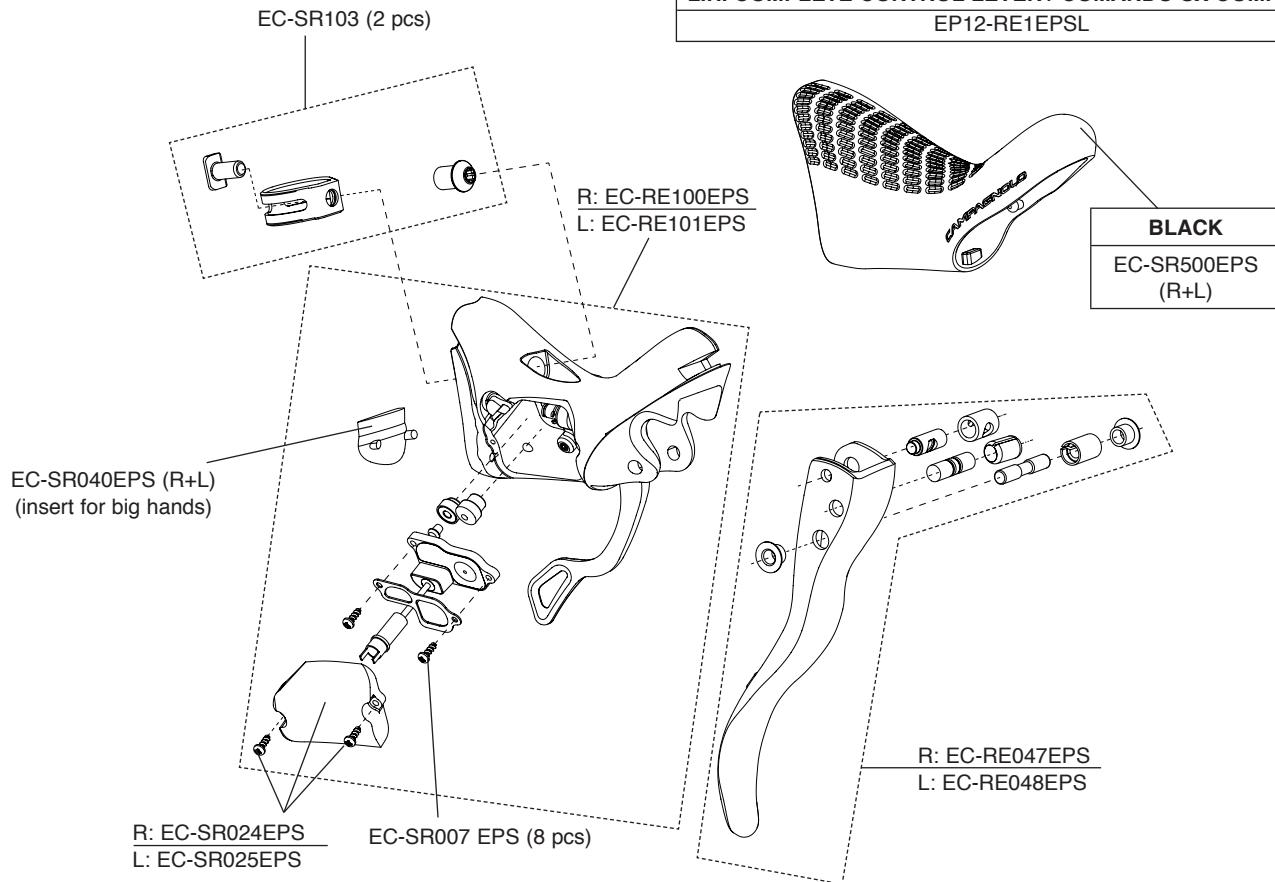
CARBON

R.H. COMPLETE CONTROL LEVER / COMANDO DX COMPLETO

EP12-RE1EPSR

L.H. COMPLETE CONTROL LEVER / COMANDO SX COMPLETO

EP12-RE1EPSL



CHORUS EPS 11S

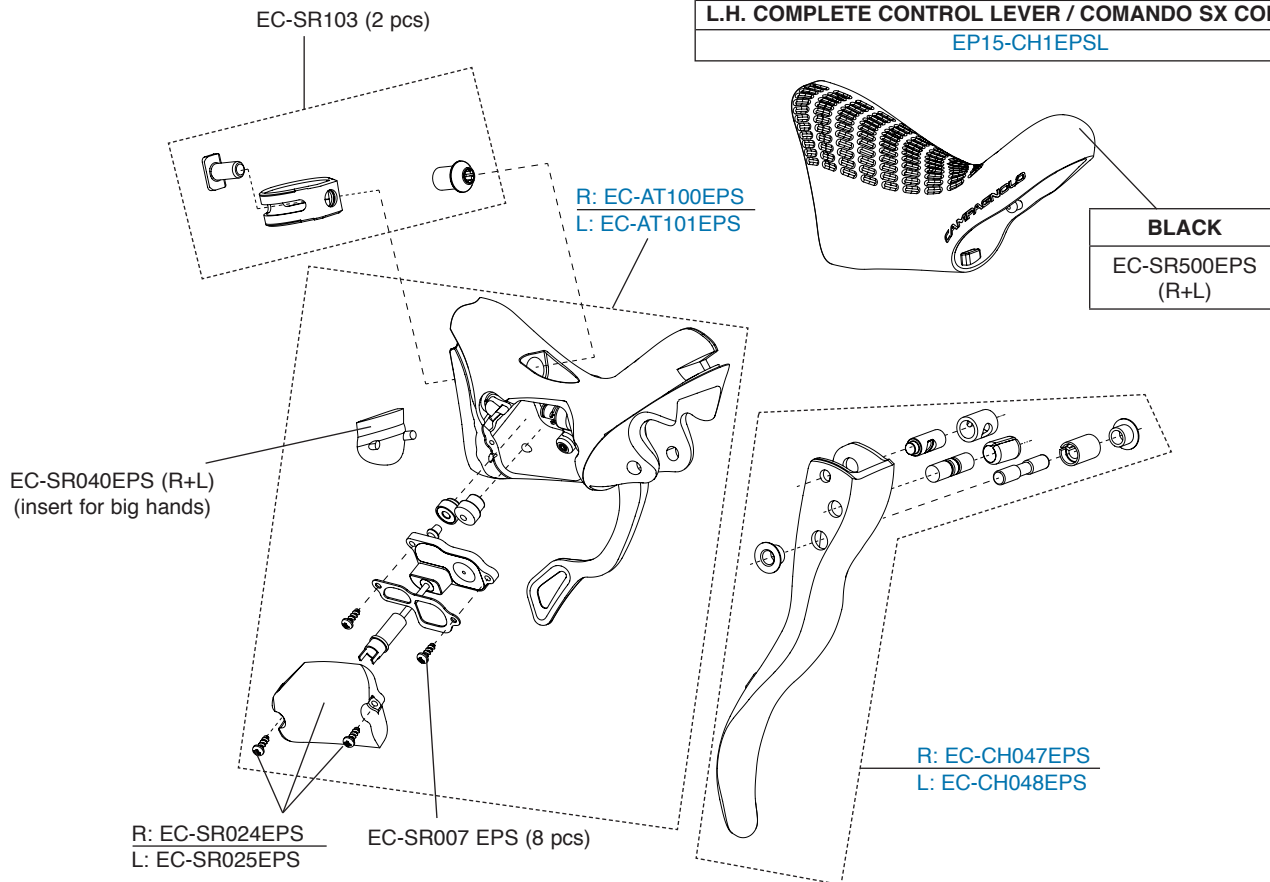
CARBON

R.H. COMPLETE CONTROL LEVER / COMANDO DX COMPLETO

EP15-CH1EPSR

L.H. COMPLETE CONTROL LEVER / COMANDO SX COMPLETO

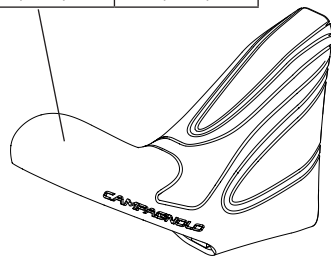
EP15-CH1EPSL



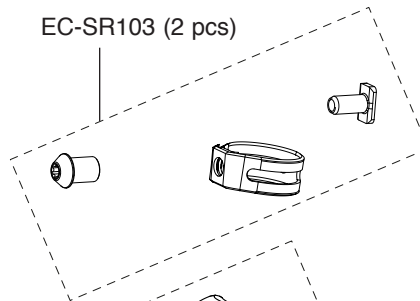
SUPER RECORD 11S

CARBON - ULTRA-SHIFT

| BLACK | WHITE | RED |
|-------------------|--------------------|--------------------|
| EC-SR600 (R+L) | EC-SR600W (R+L) | EC-SR600R (R+L) |



EC-SR103 (2 pcs)



R: EC-SR200
L: EC-SR201

R: EC-SR004
L: EC-SR005

R: EC-SR247
L: EC-SR248

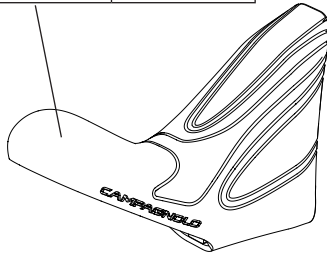
EC-SR050
(R+L - 5 pairs)

(insert for big hands)
EC-SR040 (R+L)

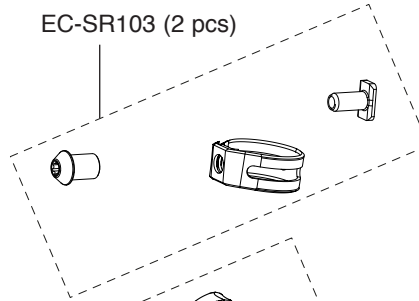
RECORD 11S

CARBON - ULTRA-SHIFT

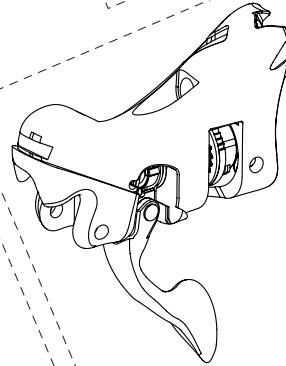
| BLACK | WHITE | RED |
|-------------------|--------------------|--------------------|
| EC-SR600 (R+L) | EC-SR600W (R+L) | EC-SR600R (R+L) |



EC-SR103 (2 pcs)



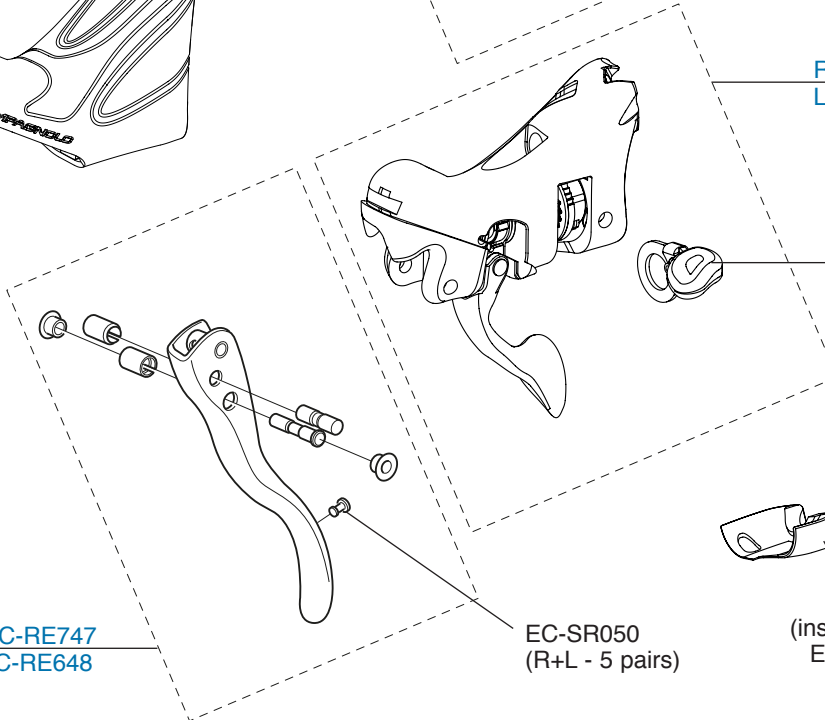
R: EC-RE300
L: EC-RE301



R: EC-SR004
L: EC-SR005



R: EC-RE747
L: EC-RE648



EC-SR050
(R+L - 5 pairs)

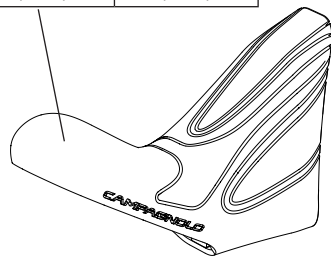


(insert for big hands)
EC-SR040 (R+L)

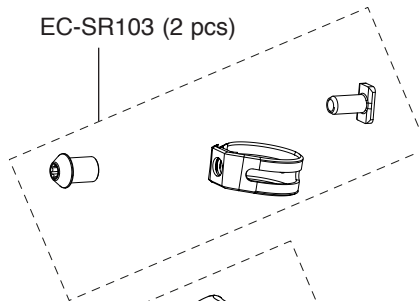
CHORUS 11S

CARBON - ULTRA-SHIFT

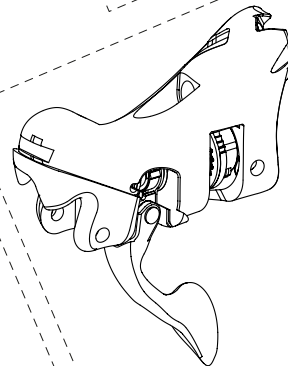
| BLACK | WHITE | RED |
|-------------------|--------------------|--------------------|
| EC-SR600 (R+L) | EC-SR600W (R+L) | EC-SR600R (R+L) |



EC-SR103 (2 pcs)



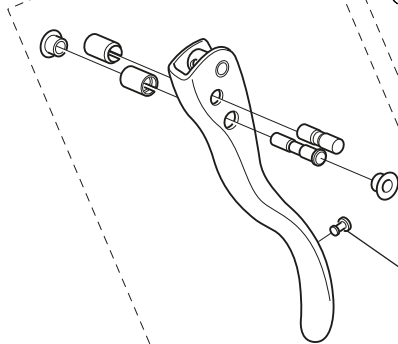
R: EC-RE300
L: EC-RE301



R: EC-SR004
L: EC-SR005



R: EC-CH847
L: EC-CH748



EC-SR050
(R+L - 5 pairs)

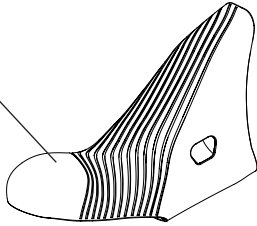


(insert for big hands)
EC-SR040 (R+L)

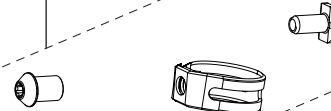
ATHENA 11S

POWER-SHIFT

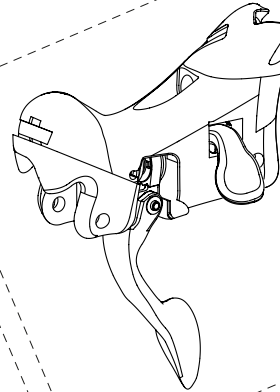
| BLACK | WHITE | RED |
|--------------------|--------------------|--------------------|
| EC-AT500B (R+L) | EC-AT500W (R+L) | EC-AT500R (R+L) |



EC-SR103 (2 pcs)



R: EC-AT400C (carbon/black)
EC-AT400S (silver)
L: EC-AT401C (carbon/black)
EC-AT401S (silver)



(insert for big hands)
EC-SR040 (R+L)

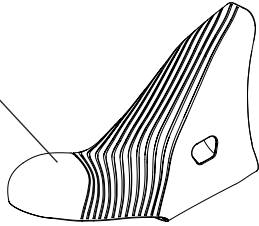
R: EC-AT747C (carbon)
EC-AT647 (silver)
EC-AT647B (black)
L: EC-AT848C (carbon)
EC-AT648 (silver)
EC-AT648B (black)

EC-SR050
(R+L - 5 pairs)

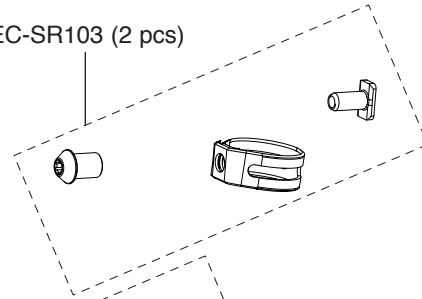
ATHENA TRIPLE 11S

POWER-SHIFT

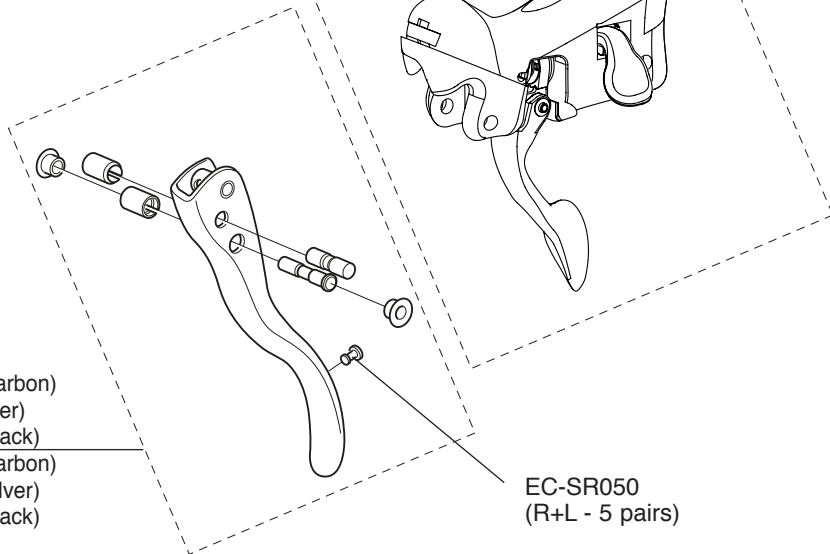
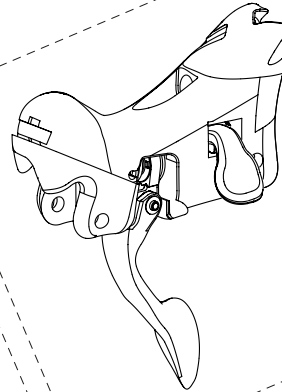
| BLACK | WHITE | RED |
|--------------------|--------------------|--------------------|
| EC-AT500B (R+L) | EC-AT500W (R+L) | EC-AT500R (R+L) |



EC-SR103 (2 pcs)



R: EC-AT400C
L: EC-AT403C



(insert for big hands)
EC-SR040 (R+L)

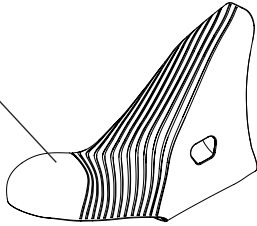
R: EC-AT747C (carbon)
EC-AT647 (silver)
EC-AT647B (black)
L: EC-AT948C (carbon)
EC-AT748S (silver)
EC-AT748B (black)

EC-SR050
(R+L - 5 pairs)

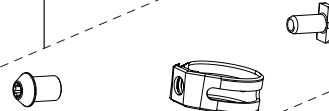
VELOCE 10S

POWER-SHIFT

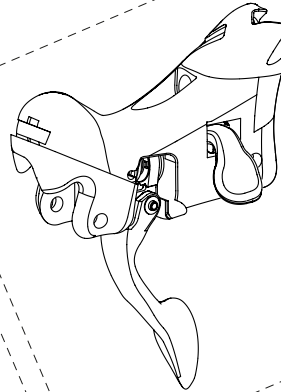
| BLACK | WHITE | RED |
|--------------------|--------------------|--------------------|
| EC-AT500B (R+L) | EC-AT500W (R+L) | EC-AT500R (R+L) |



EC-SR103 (2 pcs)



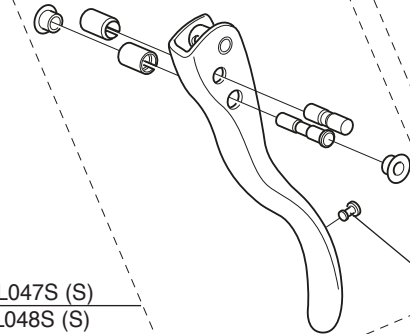
R: EC-VL200
L: EC-AT401C



(insert for big hands)
EC-SR040 (R+L)

R: EC-VL047B (B) - EC-VL047S (S)

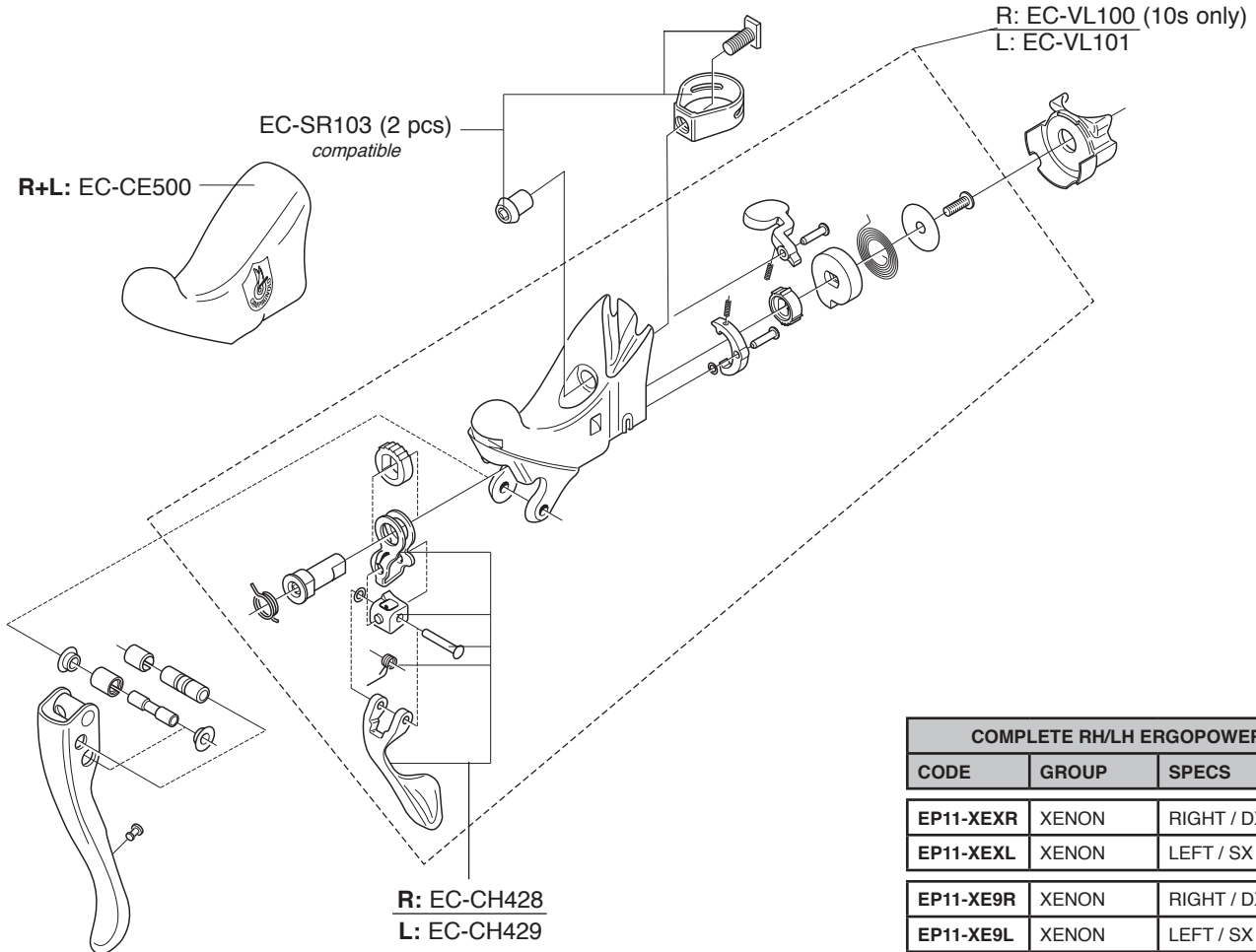
L: EC-VL048B (B) - EC-VL048S (S)



EC-SR050
(R+L - 5 pairs)

ALL VERSIONS

ESCAPE



| COMPLETE RH/LH ERGPOWER | | |
|-------------------------|-------|----------------|
| CODE | GROUP | SPECS |
| EP11-XEXR | XENON | RIGHT / DX 10S |
| EP11-XEXL | XENON | LEFT / SX |
| EP11-XE9R | XENON | RIGHT / DX 9S |
| EP11-XE9L | XENON | LEFT / SX |

CHORUS 10S

QS

EC-SR103 (2 pcs)
compatible

R: EC-CH100
L: EC-CH101

R + L: EC-RE600

10-EC-RE030

R: EC-CH547

L: EC-CH448

